



## | EN | OPERATION MANUAL



***arktik***<sup>®</sup>

1600N - 1600 N/T - 2000N - 2500N - 2000P - 2500 N/K - 2000 P/K

Trailer Refrigeration Unit

***arktik***<sup>®</sup>

*The cooling diamond*

**Please read this manual before you install and operate the trailer refrigeration unit.**

**After reading the operating manual, keep it in a safe place for future reference.**

## Contents

<b>1</b>	<b>General</b>	<b>4</b>
1.1	Disposal of unit	4
<b>2</b>	<b>Safety Instructions</b>	<b>5</b>
2.1	Safety Messages and Safety Alert Symbols	5
2.2	Other Terms and Symbols	5
2.3	Safety and Hazard Precautions	6
2.4	Safety Precautions Concerning the Refrigerant	8
2.4.1	First Aid	8
2.4.2	Environmental Considerations	8
2.5	Intended Use	9
<b>3</b>	<b>Technical Data</b>	<b>10</b>
<b>4</b>	<b>Package, Transportation and Storage</b>	<b>13</b>
4.1	Package	13
4.2	Transport	14
4.3	Storage	14
<b>5</b>	<b>System Description</b>	<b>15</b>
<b>6</b>	<b>Installation</b>	<b>17</b>
6.1	Conditions for Installation	17
6.2	Additional Parts and Equipment	17
6.3	Preparatory Activities	18
6.3.1	General Preparation	18
6.3.2	Installation Opening of Trailer Wall	19
6.4	Installation of the Trailer Refrigeration Unit	19
6.5	Installation of Accessories	22
<b>7</b>	<b>Operating Elements</b>	<b>23</b>
<b>8</b>	<b>Commissioning</b>	<b>24</b>
<b>9</b>	<b>Operating</b>	<b>26</b>
9.1	Switching on/off the Trailer Refrigeration Unit	27
9.2	Setting Nominal Temperature	27
9.3	Switching on/off the Lamp in the Refrigerated Trailer	27
9.4	Manual Defrost	27
<b>10</b>	<b>Maintenance</b>	<b>28</b>
10.1	Manual Defrost During Maintenance	28
10.2	Cleaning	28
10.2.1	Cleaning Parts Inside the Refrigeration Unit	28
10.2.2	Cleaning Parts Outside the Refrigeration Unit	29
<b>11</b>	<b>Troubleshooting</b>	<b>30</b>
<b>12</b>	<b>Summary</b>	<b>31</b>
<b>13</b>	<b>Appendices</b>	<b>32</b>
13.1	Operation Manual	32
13.2	Wiring Diagrams	33
13.3	Safety data sheets	40
13.4	Installation checklist	47

## 1. General

GOVI provides this manual for information purposes only. Information provided in this manual should at no time be regarded as all-inclusive or covering all contingencies. For further information, please contact your GOVI distributor.

Any change and alteration of this trailer refrigeration unit and deviation from the installation process without prior written consent will void GOVI's warranty.

Only use original spare parts or spare parts approved by GOVI. It is explicitly pointed out that original spare parts and accessories which are not supplied by GOVI are neither tested nor approved. GOVI cannot assume any liability or warranty for damage caused by the use of non-original spare parts.

The work on the trailer refrigeration unit described in this manual may only be carried out by persons who, on the basis of the relevant regulations and of their professional training, knowledge and experience, can assess the work to be carried out and identify possible dangers. GOVI is not responsible for personal injury or material damage which may arise from non-approved modifications.

In order to ensure the durability of GOVI products please follow the instructions in this manual.



### 1.1 Disposal of the Unit

**Danger of personal injuries and damage to the environment due to improper disassembly of the trailer refrigeration unit. Only qualified, trained specialists are allowed to disassemble the trailer refrigeration unit. The refrigerant must be handled with care as it poses serious health and environmental hazards.**

The customer is responsible for the proper disposal of the trailer refrigeration unit.

Tab. 1-1 List of materials

Designation	Material
Structure	Sheet metal, ferrous material
Condenser, evaporator	Aluminium, copper
Electrical components	Copper, PVC, miscellaneous materials
Compressor	Ferrous materials, copper and other materials
Refrigerant	R134a / R452A
Refrigerant quantity	450 / 1170 g
Coating	Epoxy compound

Please follow local regulations regarding the disposal of the trailer refrigeration unit and especially its refrigerant. If appropriate, consult professionals or specialists.

## 2. Safety Instructions

### 2.1 Safety Messages and Safety Alert Symbols



#### **DANGER!**

Indicates a hazardous situation that, if not avoided, could result in irreversible personal injury and even death.



#### **WARNING!**

Indicates a hazardous situation that, if not avoided, could result in irreversible personal injury or even death under certain circumstances.



#### **CAUTION!**

Indicates a hazardous situation that, if not avoided, can result in personal injury or damage to objects and the environment.

### 2.2 Other Terms and Symbols

Notices do not indicate safety-related content.



#### **Notice**

Provides useful information and helpful tips.

## 2.3 Safety and Hazard Precautions



### WARNING!

#### Electrical hazard!

**Any work on the trailer refrigeration unit is allowed with unplugged main plug only.**

Protect the trailer refrigeration unit against being started up while working on it by following suitable measures.

Never attempt to plug in or unplug the trailer refrigeration unit from the power supply when your hands are wet.



### WARNING!

#### Electrical hazard!

The following safety rules must be strictly observed before working on the trailer refrigeration unit:

- **Switch off.**
- **Prevent it from being switched back on again accidentally.**
- **Check that lines and equipment are without power.**
- **Ground and short circuit phases.**
- **Cover, partition or screen of adjacent line sections.**

The electrical connection to the trailer refrigeration unit must be made by a licensed electrician.



### WARNING!

#### Hazard from toxic gas!

This refrigeration unit contains a fluorocarbon refrigerant, which, in the presence of an open flame or electrical short, produces toxic gases that are severe respiratory irritants capable of causing death.

The refrigerant tends to displace air and can cause oxygen depletion, which may result in death by suffocation.

**Be careful when working on the trailer refrigeration unit, especially in any enclosed or confined area with a limited air supply!**



### WARNING!

#### Fire and explosion hazard from flammable operating materials!

Avoid open fire, electrical sparks and ignition sources.

Do not smoke!

Observe measures for fire and explosion protection.

## 2.3 Safety and Hazard Precautions



### WARNING!

#### Hazard from improper modifications!

Do not drill any additional holes into the trailer refrigeration unit.  
**You may damage major parts. Holes accidentally drilled into electrical wiring or refrigerant pipes can cause fire or explosion.**



### WARNING!

#### Health hazard from refrigerant emissions!

During maintenance or repair work on the refrigerant circuit, refrigerant emissions may occur. These emissions can be both liquid and gaseous and pose a threat to humans and the environment.

**In case of emissions or leaks in the refrigerant circuit, it is mandatory to wear proper protective clothing as goggles, respiratory masks and protective gloves.**



### CAUTION!

#### Burning hazard!

Components of the trailer refrigeration unit (such as condenser, evaporator and tubes) may still be hot from operation. Allow a sufficient cooling time of the components when working on the trailer refrigeration unit.



### CAUTION!

#### Long-term environmental hazard!

Operating materials (refrigerant and refrigerant oil) are not biodegradable. Observe the safety data sheet or operating instructions of the materials used.

**Operating materials and polluted components must be disposed according to locally valid environmental regulations.**



### CAUTION!

#### Injury hazard from rotating fan blades!

#### Keep your hands away from rotating fan blades.

Accidental contact with fan blades' sharp edges can cause severe personal injury.

## 2.4 Safety Precautions Concerning the Refrigerant

Hydrofluorocarbon refrigerants are classified as safe refrigerants. However, certain precautions must be observed during the operation, installation and maintenance of the trailer refrigeration unit.

When released to the atmosphere in the liquid state, hydrofluorocarbon refrigerants evaporate causing rapid freezing. In contact with parts of the human body, they can cause severe frostbites.

Hydrofluorocarbon refrigerants may generate hazardous gases, which, in the presence of an open flame or electrical short, are severe respiratory irritants and may have fatal consequences.

### 2.4.1 First Aid

In the event of frostbite, you should generally protect the affected area from further injury or contact with the refrigerant and if necessary seek medical advice.

Contact of refrigerant or refrigerant oil with the eyes:  
In case of contact with the refrigerant or refrigerant oil, immediately flush eyes with large amounts of lukewarm water (for at least 15 minutes) and get prompt medical attention.

Frostbite of the skin:

- Remove clothing and shoes contaminated with refrigerant.
- Flush the affected area with large amounts of lukewarm water for a long time.
- Do not apply heat (e.g. by rubbing or using a hot water bottle).
- Get immediate medical attention. Loosely bandage frost-bite burns with dry, sterile, sizeable dressing to protect from infection or injury.

Inhalation of refrigerant:

Get immediate medical attention.

Bring the person to fresh air and, if necessary, carry out resuscitation measures.

### 2.4.2 Environmental Considerations

GOVI trailer refrigeration units are shipped with a suitable charge of refrigerant R452A / R134a.

In case of errors in the refrigerant circuit or fluid leaking out of the trailer refrigeration unit, the unit must be checked by a specialist and be properly repaired. Under no circumstances the refrigerant shall be vented into the atmosphere.

Accurately read the Safety and Hazard Precautions in **section 2.3 Safety and Hazard Precautions**, as well as the data sheet for the refrigerant R452A / R134a provided by the manufacturer. Defective and reclaimed refrigeration units/sucked fluids must be disposed according to the relevant environmental regulations.



## 2.5 Intended Use

This trailer refrigeration unit is designed for refrigerated trailers at locations without explosion or fire hazards. For that purpose, the trailer refrigeration unit is mounted stationary at the front wall of the refrigerated trailer by a mechanical fastening system (not within the scope of delivery).

At outside temperatures between -20°C and +40°C the trailer refrigeration unit enables inside temperatures from 0°C to 10°C.

- The trailer refrigeration unit is not determined for operation in AP,PE EEx (places with explosion hazard).
- The trailer refrigeration unit is not designed to be used in places with fire hazard.
- The trailer refrigeration unit is not equipped with reinforced electrical or mechanical protective elements to withstand aggressive atmospheric conditions.

Ensure good ventilation of the trailer refrigeration unit when placing the trailer. Ensure proper air circulation and good access for maintenance work when indicated.

Do not expose the trailer refrigeration unit to direct sunlight. Ensure proper air circulation inside the refrigeration unit when loading the trailer. Do not block the evaporator. Avoid the insertion of heat sources in the refrigeration unit.

The trailer is designed for no other purpose than the one described above. Any other use is considered improper, for which it is prohibited or requires the manufacturer's approval.

The Intended Use also includes compliance with the specified maintenance and repair work, see **section 10 Maintenance**.

### 3. Technical Data

The trailer refrigeration unit consists of a self-supporting chassis made of galvanized plate and a main cover made of ABS, with paint in standard colour RAL9010.

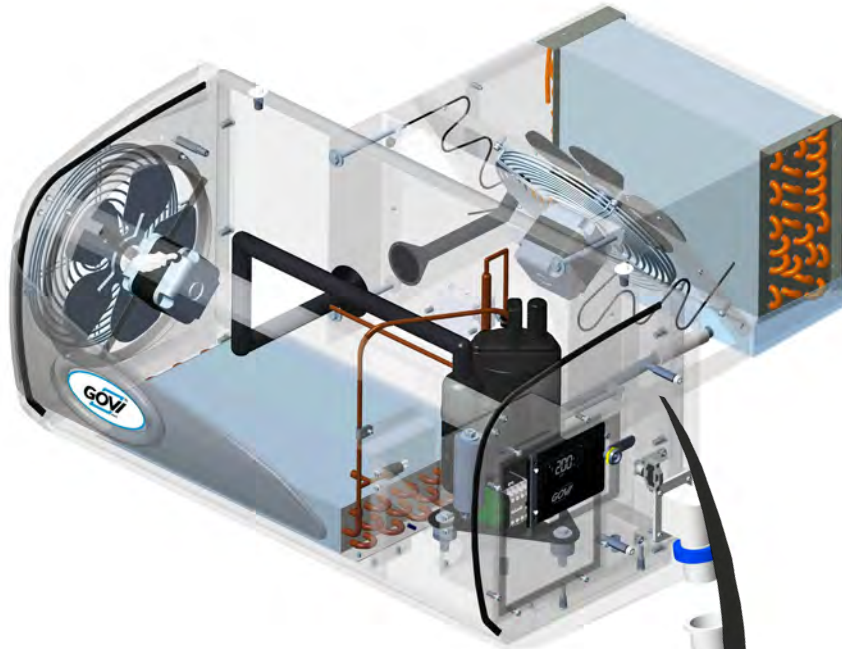


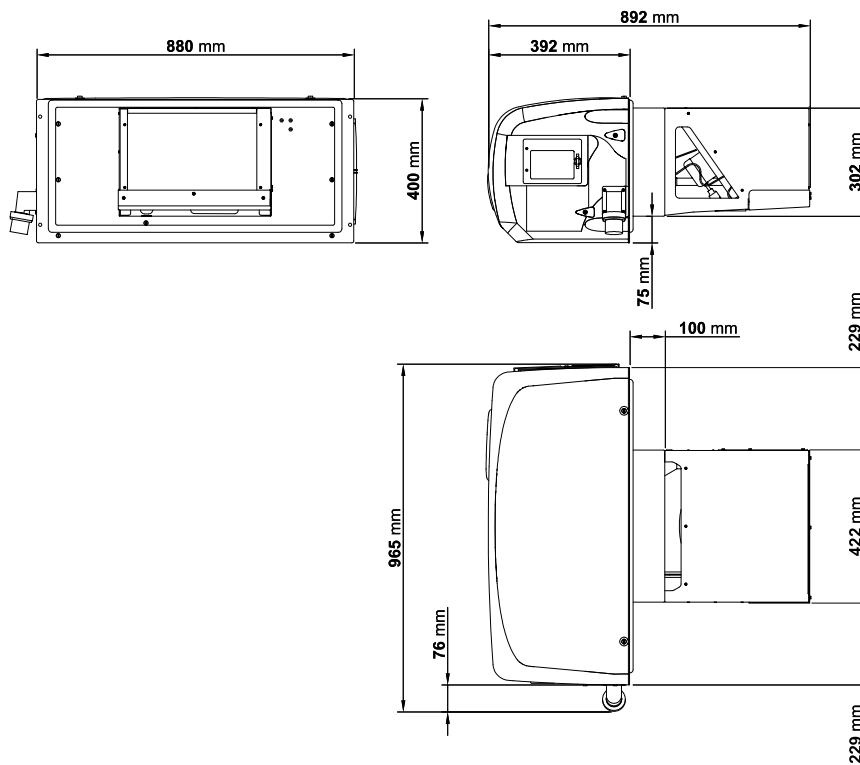
Fig. 3-1 Nameplate

		<b>Max-Planck-Str. 5</b> <b>53842 Troisdorf - GERMANY</b> <b>www.govi-gmbh.de</b>	
<b>Modell:</b>	<b>ARKTIK 1600N</b>		
<small>Model:</small>			
<b>Seriennummer:</b>	<b>16019850A</b>		
<small>Serial Number:</small>			
<b>Spannung:</b>	<b>230V/50Hz</b>	<b>Startstrom:</b>	<b>22A</b>
<small>Power Supply:</small>		<small>LRA:</small>	
<b>Stromaufnahme:</b>	<b>5,3A</b>		
<small>FLA:</small>			
<b>Kompressorleistung:</b>	<b>855W</b>		
<small>Comp. Power:</small>			
<b>Kältemittel:</b>	<b>R452A</b>	<b>Menge:</b>	<b>0,45kg</b>
<small>Refrigerant:</small>		<small>Quantity:</small>	
<b>Gewicht:</b>	<b>55kg</b>	<b>Baujahr:</b>	<b>2021</b>
<small>Net Weight:</small>		<small>Manufac. Year:</small>	
			

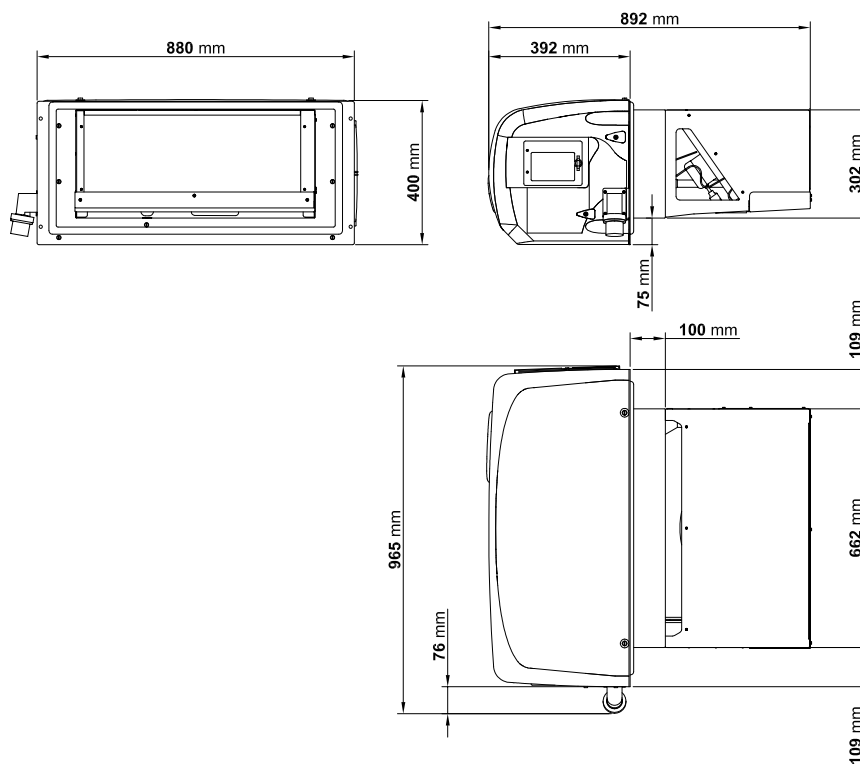
The serial numbers of the trailer refrigeration unit are on the nameplate, together with other important technical data. The nameplate is on the right-hand side of the main cover in the proximity of the electrical connection.

To ensure a fast and smooth processing of your requests, please mention the serial number of the trailer refrigeration unit when asking technical queries.

**Fig. 3-2 Dimensions**



**arktik 1600N • 1600N/T • 2000N**



**arktik 2500N • 2500N/K • 2000P • 2000P/K**

Tab. 3-1 Technical data

Description	Unit	arktik 1600N	arktik 1600N/T	arktik 2000N	arktik 2500N	arktik 2500N/K	arktik 2000P	arktik 2000P/K
Refrigerated trailer internal temperature	°C	T=2°C	T=2°C	T=2°C	T=2°C	T=2°C	T=2 °C/ -20 °C	T=2 °C/ -20 °C
Power supply	V	230	230	230	230	230	230	230
Frequency	Hz	50	50	50	50	50	50	50
Cooling capacity	W	1600	1470*	2050	2500	2500	2050/1500	2050/1500
Heating capacity	W	-/-	-/-	-/-	-/-	1600	-/-	1600
Power consumption	W	855	855	1260	1200	1200	1200/1000	1200/1000
Current consumption LRA	A	19,8	19,8	29	32	32	32	32
Current consumption FLA	A	4,8	4,8	5,7	7	7	7,0/6,5	7,0/6,5
Defrosting	W	340	340	340	600	600	1230	1230
Air flow evaporator	m <sup>3</sup> /h	750	750	750	1100	1100	1100	1100
Air flow condenser	m <sup>3</sup> /h	750	1100	1100	1100	1100	1100	1100
Protection class, mounting side	IP	54	54	54	54	54	54	54
Refrigerant	Typ	R134a	R134a	R134a	R452A	R452A	R452A	R452A
Refrigerant quantity	g	450	450	550	800	800	1170	1170
Max. operating temperature	°C	40	45	40	40	40	40	40
Weight	kg	55	55	63	63	63	63	63
Colour	RAL	9010	9010	9010	9010	9010	9010	9010

CFC-free refrigerant R134a / CFC-free refrigerant R452A  
 N = Normal refrigeration  
 N/T = Normal refrigeration at high outside temperature  
 P = Polytemperature  
 K = Climate heater (ensuring the desired temperature in winter)  
 The refrigeration capacity is based on the following operating conditions: Outside temperature 30 °C, RH 50% / \* Outside temperature 40 °C, RH 50%  
 We recommend an insulation with a k value of 0.2 W/m<sup>2</sup>K

#### 4. 4 Package, Transportation and Storage

#### 4.1 Package

For safe transportation, the trailer refrigeration unit is securely packed in a box mounted on pallets.

### CAUTION!



**Damaged appliances can cause skin injuries and property damage due to leakage of the refrigerant. In case of severe external damage to the package and/or on the trailer refrigeration unit, contact immediately your local GOVI dealer for assistance.**

Do not start with the installation of the trailer refrigeration unit and do not put it into operation.

Fig. 4-1 Box



- 1. Spanner
- 2. Coupling
- 3. Lamp
- 4. Bulb
- 5. Flyer with safety instructions and QR code for the operating manual

1. Upon delivery place the pallet and box on a level ground. Immediately inspect the box and the trailer refrigeration unit for any damage.
2. Inform the carrier about any damage you have discovered.
3. Take pictures of the damage and document them immediately on the bill of delivery.
4. Check the contents of the box for completeness.
5. Look for loose parts that may be integral part of the delivery, before disposing of the package.

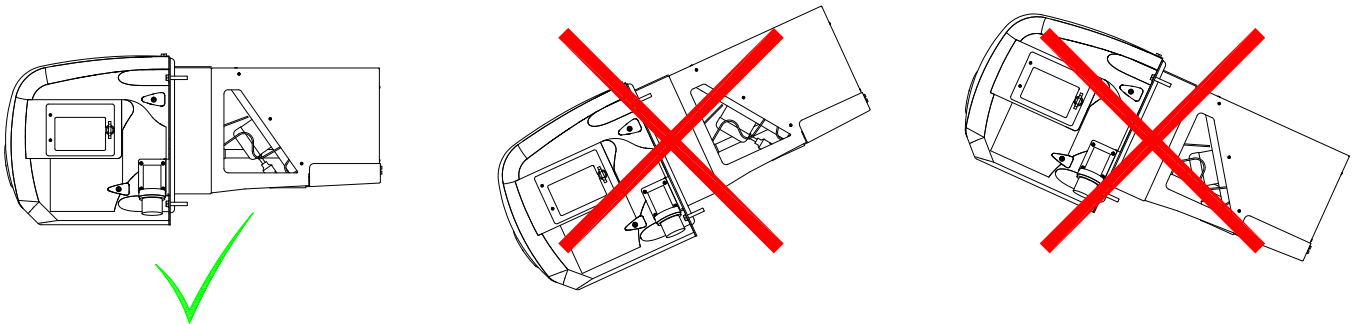
## 4.2 Transport



### CAUTION!

**Risk of equipment damage!**  
**The trailer refrigeration unit must be transported horizontally.**

The trailer refrigeration unit must have been in a horizontal position at least six hours prior to its commissioning.



**Fig. 4-2 Transport and storage**

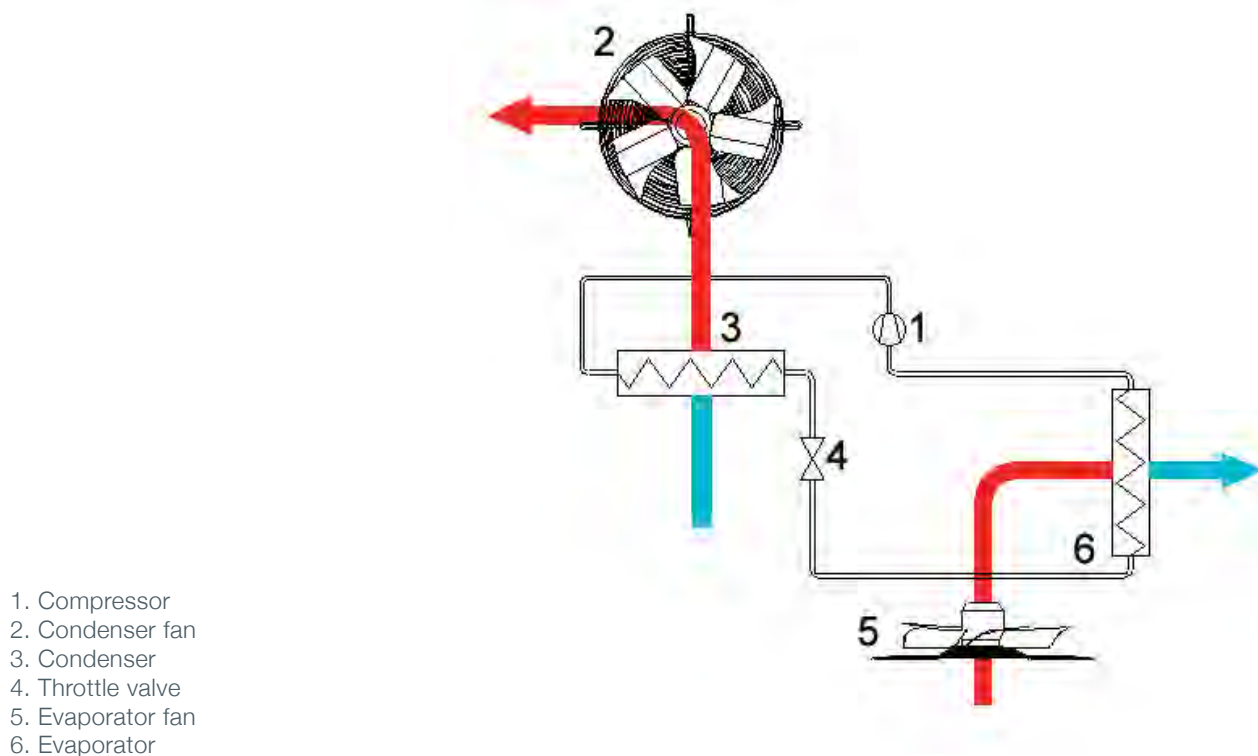
- Only use suitable lifting equipment for lifting and transport of the trailer refrigeration unit. Look at [section 3 Technical Data](#) for information about the weight.
- Lift the refrigeration unit for trailers according to [section 6.4 Installation of the Trailer Refrigeration Unit](#).

## 4.3 Storage

Observe the following when storing the trailer refrigeration unit:

- The trailer refrigeration unit must be stored horizontally, see [Fig. 4-2](#).
- The storage temperature must not exceed 60 °C.
- The trailer refrigeration unit must not be stored in an aggressive environment.
- Direct sunlight at the storage location must be avoided.

## 5. System Description

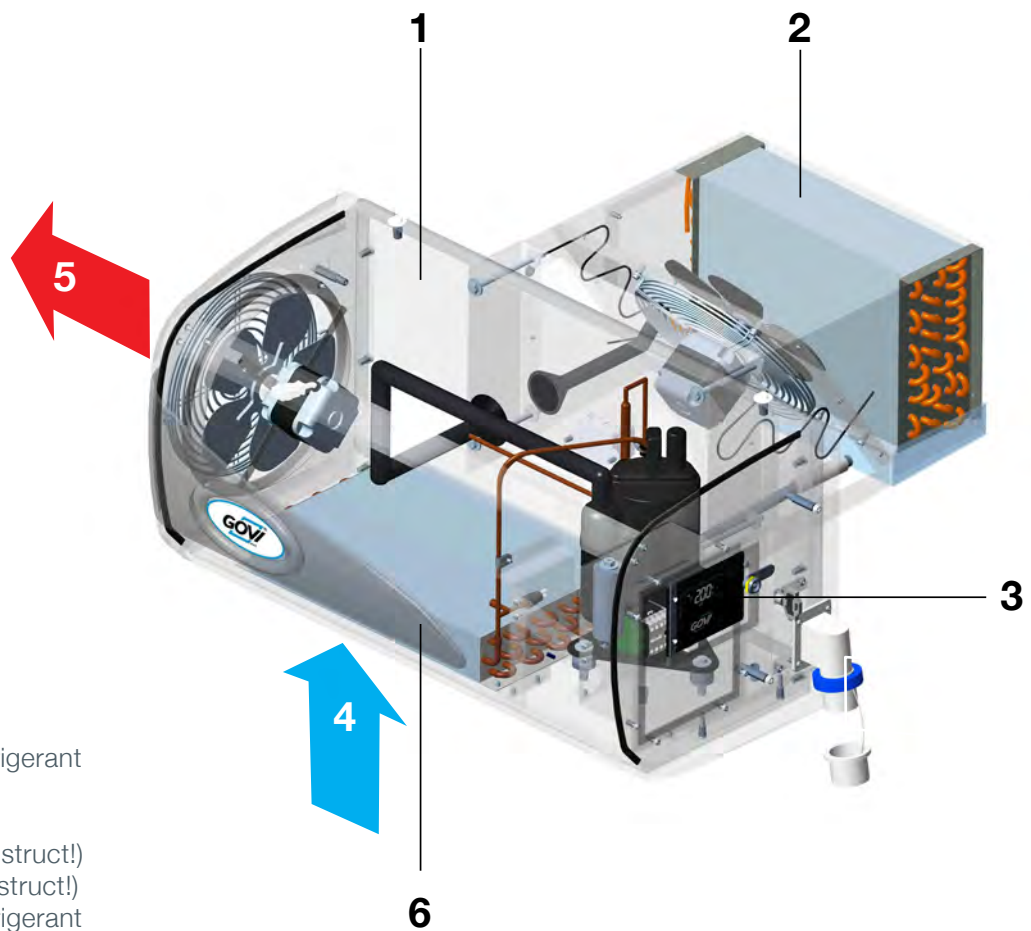


**Fig. 5-1 Functional diagram**

The unit functioning is based on the cooling cycle principle: heat transfer occurs by means of a refrigerant, which absorbs heat in the evaporator and then releases it in the condenser. All this takes place within a closed loop. The refrigerant is pressurised by an electrically driven compressor, fluidised in the condenser, atomised by means of a throttle valve and evaporated in the evaporator.

The evaporator is located inside the refrigerated trailer, while the condenser is on the outside.

The trailer refrigeration unit is equipped with a forced-ventilated condenser and evaporator, axial fans and electronic temperature control.



- 1. Main cover
- 2. Evaporator (with refrigerant in the system)
- 3. Protection cover
- 4. Air intake (do not obstruct!)
- 5. Air outlet (do not obstruct!)
- 6. Condenser (with refrigerant in the system)

**Fig. 5-2 Overview of the trailer refrigeration unit**

**Main cover (1)**

The main cover (1) covers the outer parts of the trailer refrigeration unit.

**Evaporator (2) and condenser (6)**

In the evaporator (2) heat is absorbed by the refrigerant, which is released again in the condenser (6).

**Protection cover (3) and setting of nominal temperature**

The protection cover (3) shields the control unit from harsh weather and impedes unintended changes of the settings. The nominal temperature is set according to **section 9.2 Setting Nominal Temperature.**

**Air intake (4) and air outlet (5)**

The air intake (4) and air outlet (5) must always be kept free. They must not be covered or obstructed.



## 6. Installation

### 6.1 Conditions for Installation

1. Read this manual carefully in order to understand how to properly perform the installation.
2. Verify that the trailer refrigeration unit is delivered according to your order, is in good condition and has no visible damages.
3. Check that all necessary tools and all additionally required parts are not missing and that are in good operating condition.
4. Verify that the installation site of the trailer refrigeration unit provides a flat surface without unevenness, which may cause vibrations.
5. Check that the front wall of the trailer refrigeration unit is able to adequately support its weight.
6. Make sure that the loading crane or lifting device, and the complete lifting cables are of sufficient size to support the weight of the trailer refrigeration units. Look at **section 3 Technical Data** for information about the weight.
7. Note that the power supply of the trailer refrigeration unit cannot be connected before the installation of the unit and its accessories has been completed.
8. Provide protection to the trailer's walls and/or internal parts to prevent damage by swarf and alike during the installation process.

### 6.2 Additional Parts and Equipment



Because of the wide variety of installation options available, the trailer refrigeration unit is not shipped with all parts needed for every possible installation situation. The installer needs to make sure that the following parts are available.

We recommend keeping the following additional parts ready in a box before starting the installation process:

#### **2 assembly eyelets M8**



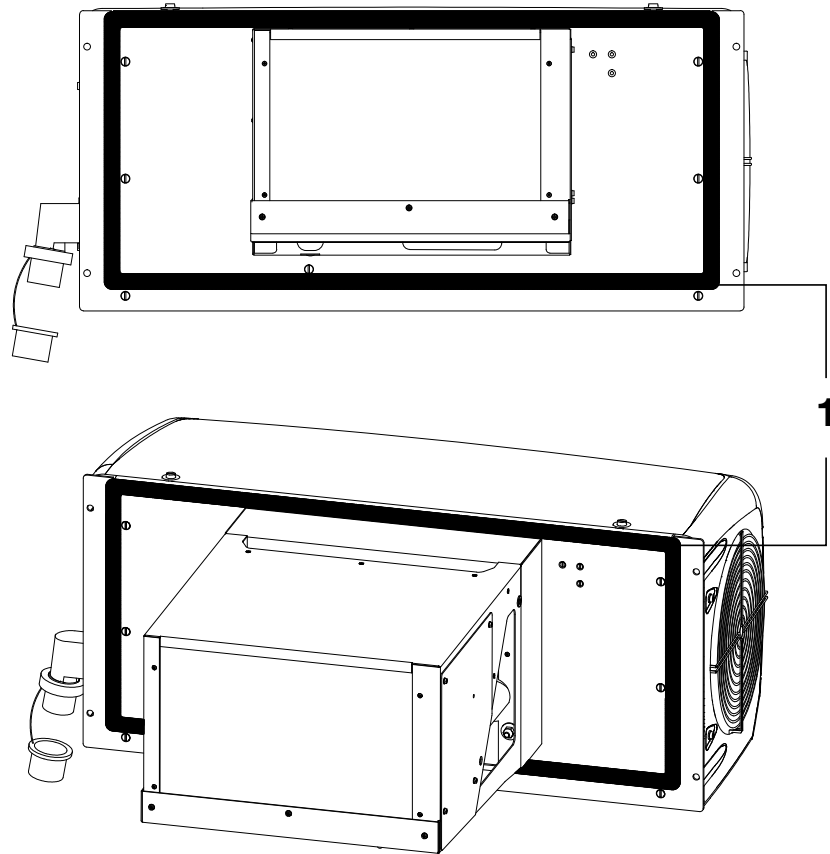
#### **1 condensed water drain hose**

with an internal 15-mm diameter and suitable length.

### 6.3 Preparatory Activities

#### 6.3.1 General Preparation

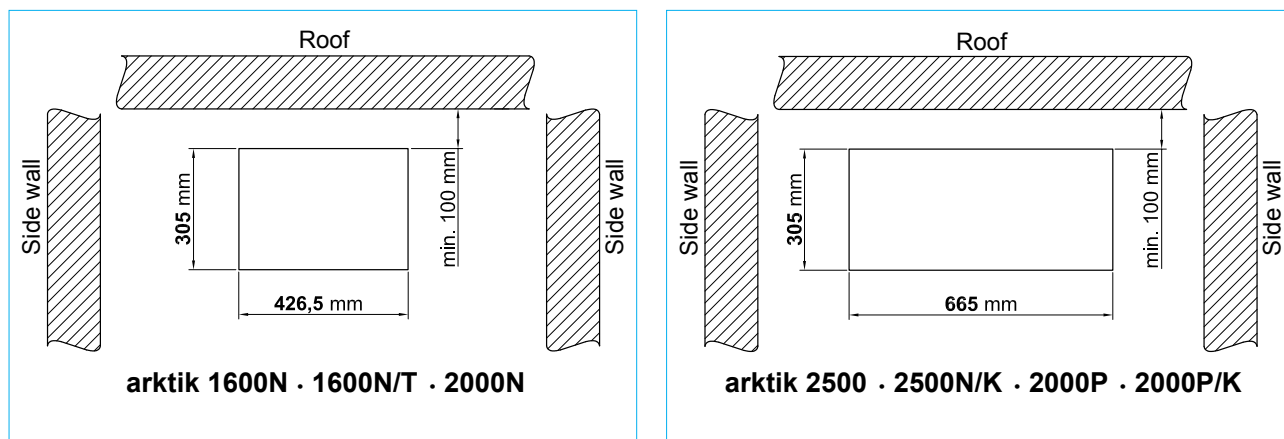
*Fig. 6-1 PU seal of the trailer refrigeration unit*



1. PU-Seal

1. Place the refrigerated trailer and trailer refrigeration unit side by side on a dry and clean level ground.
2. Verify that the trailer is in horizontal position.
3. Make sure that the contact area between its front wall and the trailer refrigeration unit is free from impurities
4. Remove all obstacles from the installation area.
5. Prepare all required tools and equipment and place them in a safe place easily accessible from the installation area.
6. Verify that the PU seal (1) at the backside of the trailer refrigeration unit is available and intact.

### 6.3.2 Installation Opening of Trailer Wall

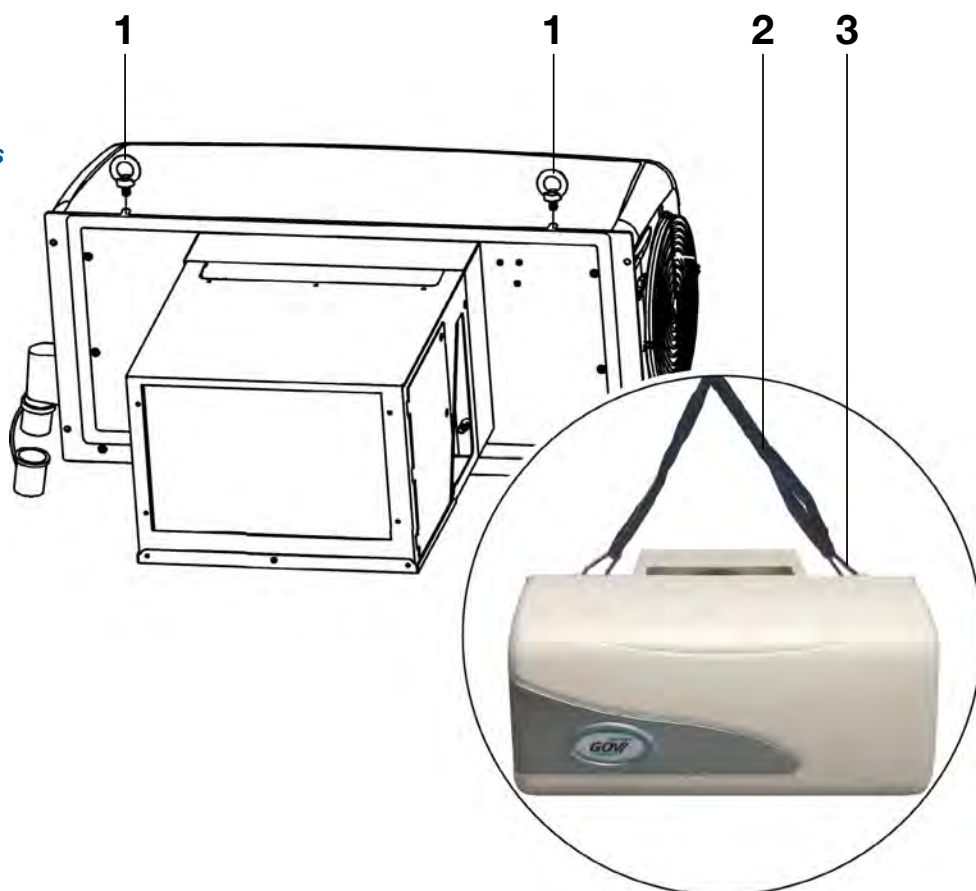


**Fig. 6-2 Dimensions of the trailer wall opening**

7. Prepare the wall opening together with 6 drill holes for the fastening elements in the middle of the front wall of the trailer. Make sure that the minimum size for proper operation of the trailer refrigeration unit is observed, *see Fig. 6 2.*

### 6.4 Installation of the Trailer Refrigeration Unit

**Fig. 6-3 Attachment points of the trailer refrigeration unit**



1. Eye bolts
2. Carrying rope
3. Spring hook

**CAUTION!**



**Risk of equipment damage!**

Without the main cover, the individual components of the trailer refrigeration unit are vulnerable to damage during the installation.

**Leave the main cover during the installation.**

1. Remove the hexagon head screws from the mounting holes of the main cover on the top of the trailer refrigeration unit one by one and insert two eye bolts (not included) in the free holes.

**WARNING!**



**Injury hazard!**

The weight of the trailer refrigeration unit is approximately 63 kg. Always wear a helmet when lifting and positioning it.

**Use only suitable and approved tools.**

**You must use both lifting points (eye bolts).**

2. Attach 2 sufficient dimensioned carrying ropes (2) at both eye bolts (1).

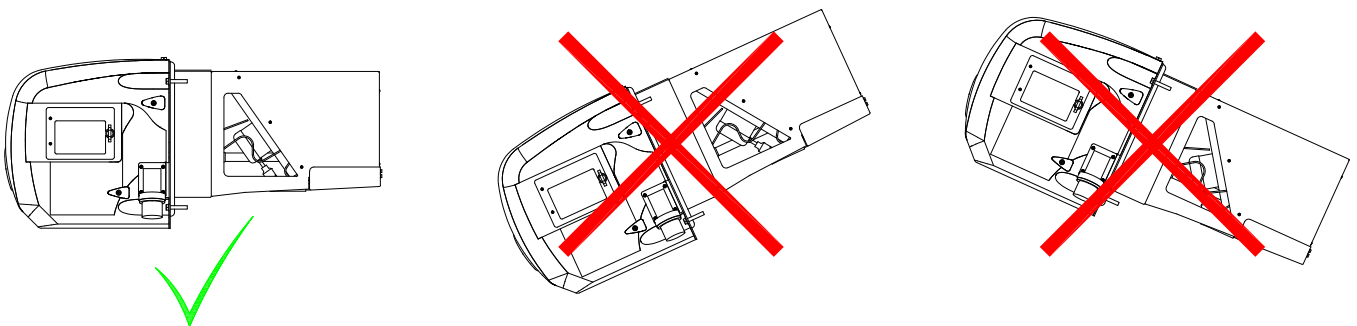


Fig. 6-4 Mounting alignment

**CAUTION!**



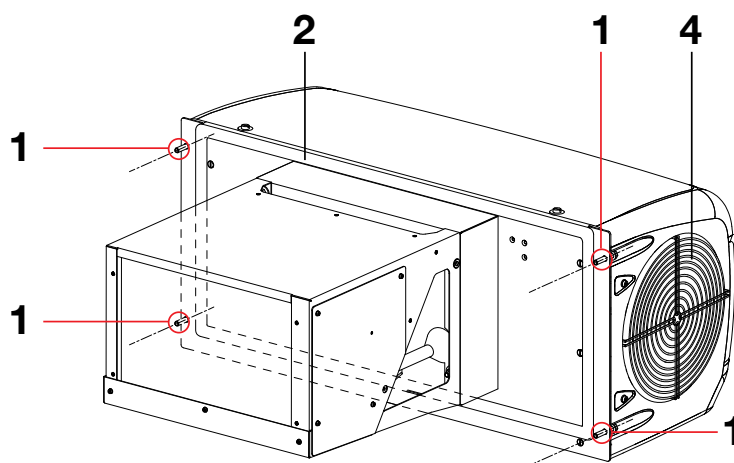
**Risk of equipment damage!**

The trailer refrigeration unit must be transported horizontally.

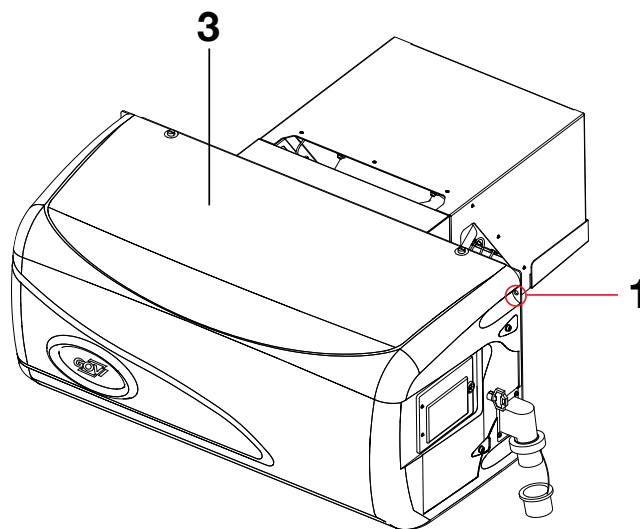
The trailer refrigeration unit must have been in a horizontal position at least six hours prior to its commissioning.

3. Make sure that the trailer refrigeration unit stays in a horizontal position while lifting it carefully out of the box.
4. Position the trailer refrigeration unit in front of the installation opening at its front wall using an adequate lifting device or loading crane.

**Fig. 6-5 Attachment of the trailer refrigeration unit**



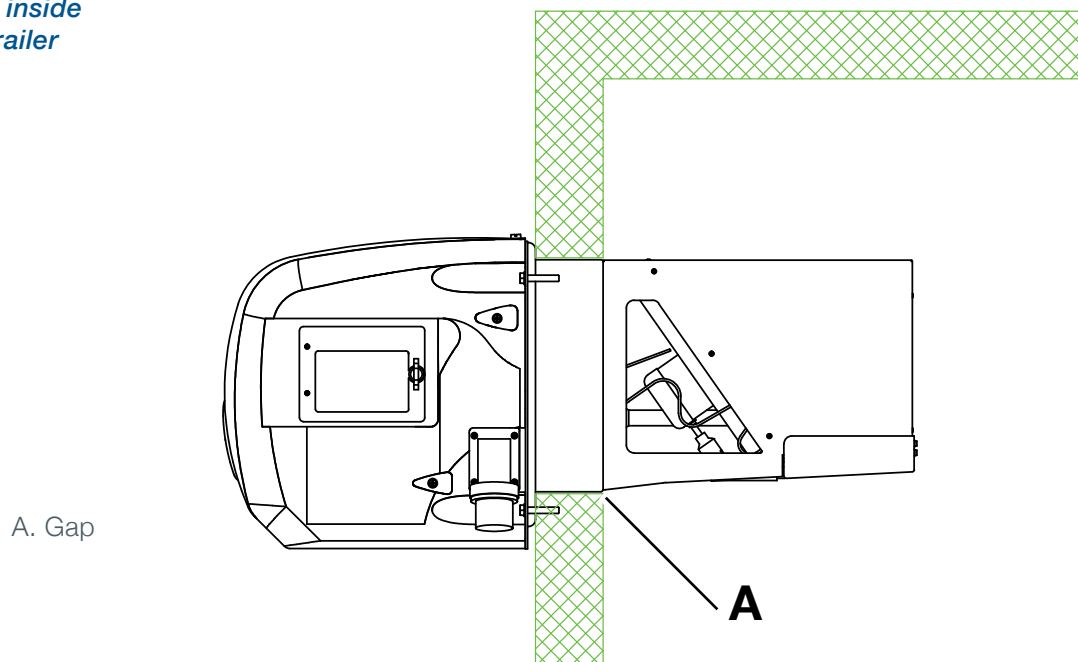
1. Fixing bolts
2. PU seal
3. Main cover
4. Protective grating



5. Place the trailer refrigeration unit in the mounting area and make sure that the PU seal (2) does not get damaged.

6. Secure the trailer refrigeration unit with the aid of fixing bolts (1) on the trailer, **see section 6.2 Additional Parts and Equipment**.
7. Remove eye bolts with the carrying ropes and fasten again the main cover (3) using the screws.

**Fig. 6-6 Sealing inside of the trailer**



8. Inside the refrigeration unit, seal the gap (A) between the front wall of the trailer refrigeration unit and the trailer edge using silicone.
9. If necessary, connect a condensed water drain hose at the bottom of the condenser and make sure that it is not kinked or is positioned in an inclined way, **see section 6.2 Additional Parts and Equipment**.

### 6.5 Installation of Accessories

It is not necessary to open the unit when installing the lighting system. The power supply connection has been prefitted at the factory.

The connected cable for the interior lighting is located on the evaporator side panel.

## 7. Operating Elements

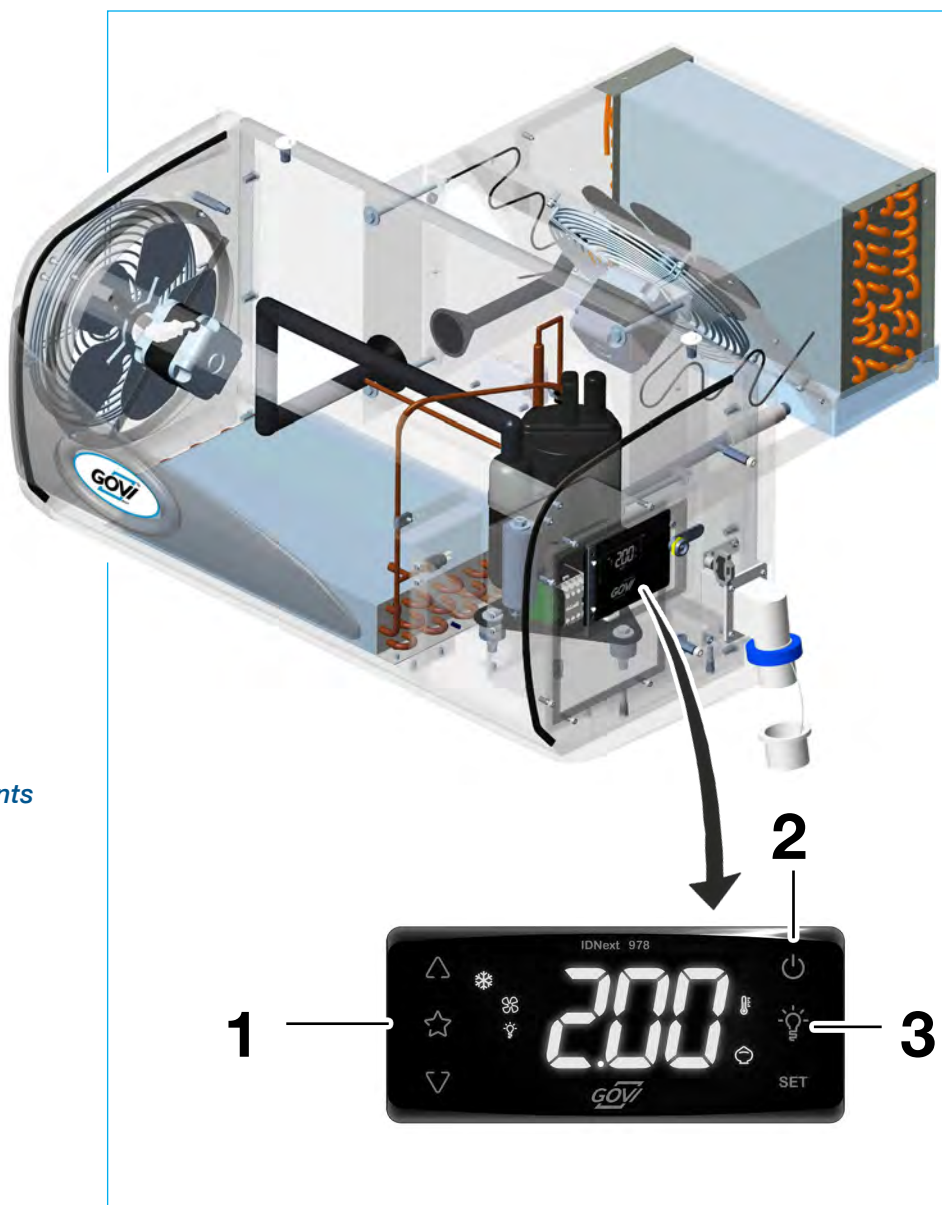


Fig. 7-1 Operating elements

1. Display
2. Control button
3. Lamp switch

### 1. Display

The display serves to choose and to show the nominal temperature.

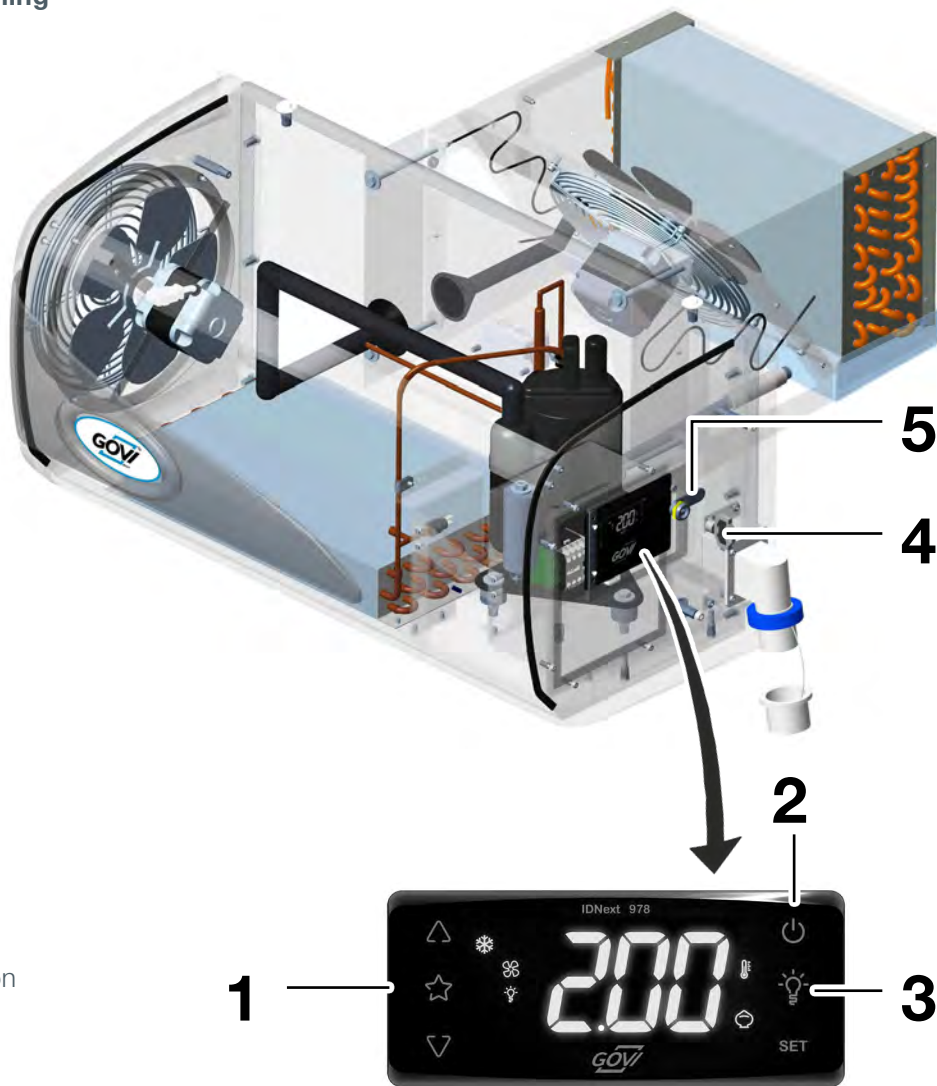
### 2. Control button

The control button (2) enables to switch on and off the control voltage of the trailer refrigeration unit.

### 3. Lamp switch

The lamp switch (3) enables to switch on and off the light inside the refrigeration unit.

## 8. Commissioning



- 1. Display
- 2. Control button
- 3. Lamp switch
- 4. Spanner
- 5. Latch

**Fig. 8-1 Commissioning**

- 1.** Remove protective cover from the power connector.
- 2.** Connect the trailer refrigeration unit by means of a suitable cable (not supplied) to the electric power system.
- 3.** Use the spanner (4) to unlock the latch (5) and open the protection cover.



**CAUTION!**

**Immediately unplug the power supply of the trailer refrigeration unit if you detect smoke, unusual smells or strange noises coming from it.**

Call for service before operating the trailer refrigeration unit again.

**4.** Press the control button (2) to start the trailer refrigeration unit. The current temperature in the carrier appears on the display (1).



1. Press SET once shortly. The display shows "SET".



2. Press SET again. The display (1) shows the currently-set nominal temperature.



3. Adjust the nominal temperature by pressing UP for a higher temperature or DOWN for a lower temperature.



The value changes by intervals of 0.1 °C when you press for less than 1 second. When you press and hold the button, the value increases or decreases up to a maximum temperature of 10 °C.



4. Press SET again. You hereby save and apply the new target temperature setting. The display (1) shows the current temperature inside the trailer.

**5.** Make sure that:

- the wall opening and the drill holes of the trailer wall are sealed firmly to prevent moisture or air leakage,
- neither the air outlets and air intakes nor the condenser and the evaporator are obstructed by any material or object,
- the main cover is securely installed and sealed,
- the condensed water drain hose is firmly attached to its discharge outlet,
- all bolts and screws are securely fastened,
- the system operates correctly.

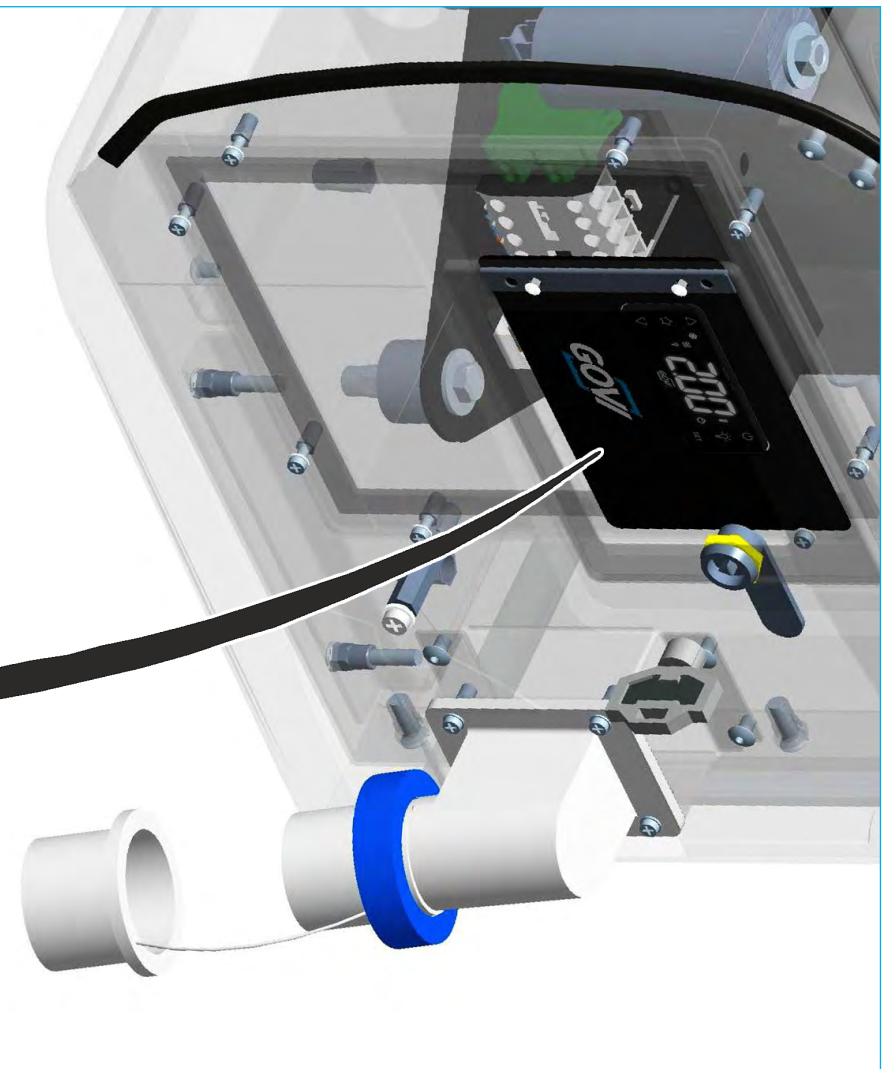
## 9. Operating



### CAUTION!

**Immediately unplug the power supply of the trailer refrigeration unit if you detect smoke, unusual smells or strange noises coming from it.**

Call for service before operating the trailer refrigeration unit again.



**Fig. 9. 1. Operating**

1. Display
2. Control button
3. Lamp switch



### 9.1 Switching on/off the Trailer Refrigeration Unit

1. Unlock the latch (5) and open the protection cover.
2. Press the control button (2) to switch the trailer refrigeration unit on.
3. Press the control button (2) to switch the trailer refrigeration unit off.

### 9.2 Setting Nominal Temperature



1. Press SET once shortly. The display shows "SET".



2. Press SET again. The display (1) shows the currently set nominal temperature.



3. Adjust the nominal temperature by pressing UP for a higher temperature or DOWN for a lower temperature.



The value changes by intervals of 0.1 °C when you press for less than 1 second.

When you press and hold the button, the value increases or decreases up to a maximum temperature of 10 °C.



4. Press SET again. You hereby save and apply the new target temperature setting. The display (1) shows the current temperature inside the trailer.

### 9.3 Switching on/off the Lamp in the Refrigerated Trailer



1. Press light button (3) to switch on the light in the trailer.
2. Press light button (3) to switch off the light in the trailer.

### 9.4 Manual Defrost

While the trailer refrigeration unit is in use, the evaporator fins will gradually get covered with frost. Defrosting must be carried out regularly in order to avoid losses in the cooling capacity and air flow. Defrosting takes place with a hot refrigerant released through the evaporator, causing the frost (or ice) to melt. The melted frost runs off through the drain pipes of the unit. During the defrosting procedure, the evaporator fans are stopped.



1. Open the protection cover.
2. Press „UP“ for more than 5 seconds.

## 10. Maintenance



Maintain the trailer refrigeration unit

- every 6 months, or
  - after a longer period out of operation or
  - immediately after operation in a dusty or moist environment.
- Negligent maintenance can lead to malfunction and damage the trailer refrigeration unit.

### 10.1 Manual Defrost During Maintenance

See section 9.4. Manual Defrost During Maintenance

### 10.2 Cleaning

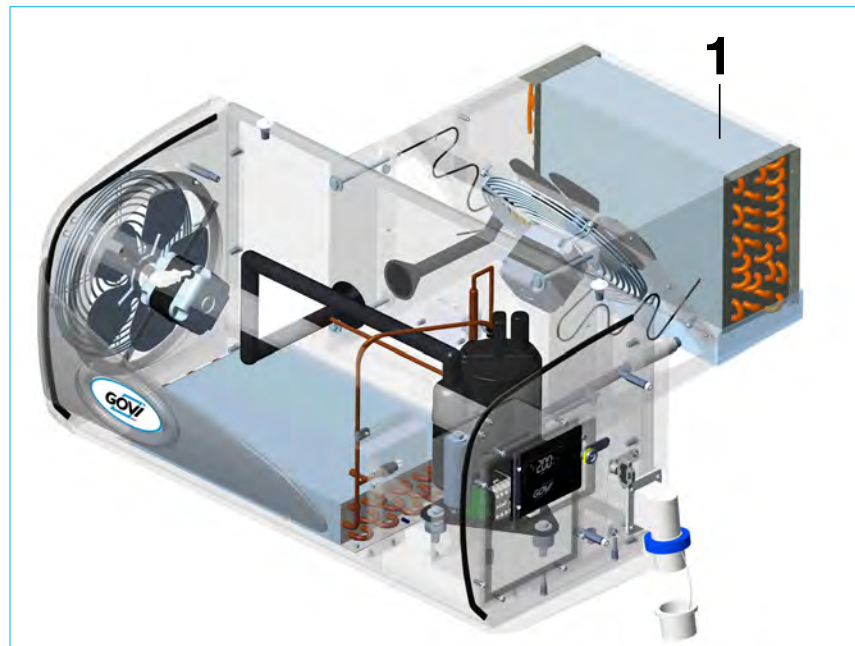
#### 10.2.1 Cleaning Parts Inside the Refrigeration Unit



#### WARNING!

**Fire and explosion hazard!**  
 Never use flammable solvents such as alcohol, benzene or thinners for cleaning.

Fig. 10-1 Cleaning parts inside the refrigeration unit



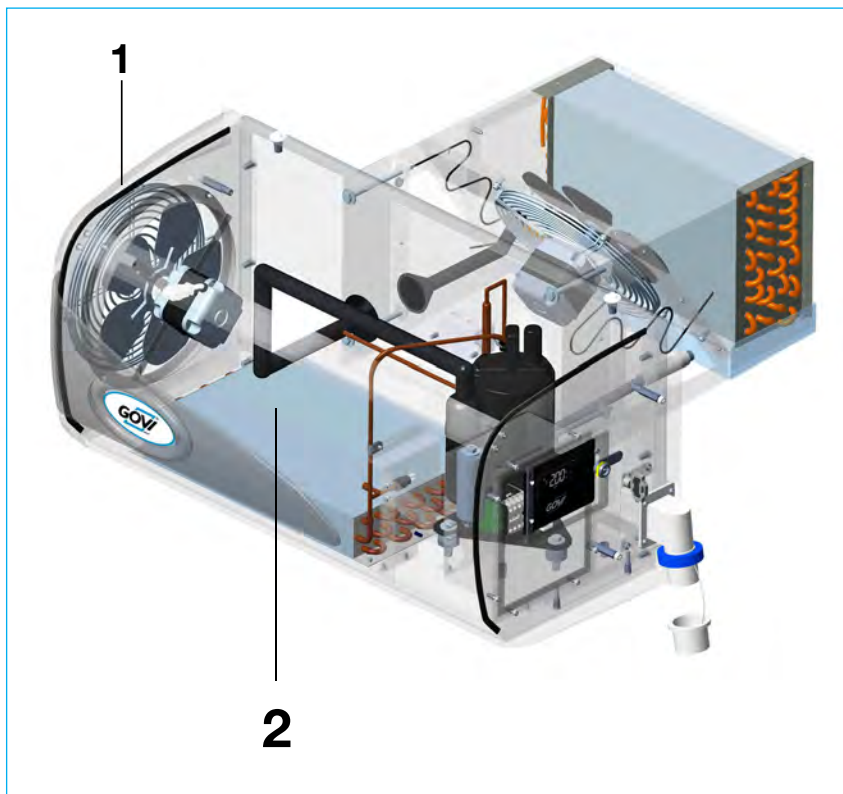
1. Evaporator

1. Clear the refrigeration unit of all goods and merchandise.
2. Disconnect the trailer refrigeration unit from the power supply by pulling the main plug.
3. Clean the evaporator by applying compressed air from an appropriate distance.
4. Connect again the trailer refrigeration unit to the power supply by inserting the main plug.

## 10.2.2 Cleaning Parts Outside the Refrigeration Unit

**Fig. 10-2** *Cleaning parts outside the refrigeration unit*

- 1. Main cover
- 2. Condenser



- 1.** Disconnect the trailer refrigeration unit from the power supply by pulling the main plug.
- 2.** Loosen and remove the five screws on the upper side of the trailer refrigeration unit and take off the main cover (1).
- 3.** Clean the condenser (2) by blowing compressed air from top to bottom through the cooling fins from an appropriate distance. If necessary, align fins after the cleaning procedure.
- 4.** Fasten the main cover (1) using the screws.
- 5.** Connect again the trailer refrigeration unit to the power supply by inserting the main plug.

## 11. Troubleshooting

**Tab. 11-1 Troubleshooting**

Errors / Failure	Problem	Solution
The trailer refrigeration unit does not start.	No power supply.	1. Check that the control button is on. 2. Check the connection to the power supply.
	The fuses of the power line are blown.	Call for GOVI service.
The trailer refrigeration unit does not cool; the fan inside the refrigerated trailer does not work.	No power supply.	1. Check that the control button is on. 2. Check the connection to the power supply.
The trailer refrigeration unit does not cool; the fan inside the refrigeration unit works.	The nominal temperature is set too high.	Set the nominal temperature to the desired temperature.
	Malfunction of thermostat.	Call for GOVI service.
	The high-pressure switch is tripped.	1. Make sure that the condenser is clean and that the outer fan is turning. 2. Make sure that the main cover is mounted correctly. 3. Call for GOVI service.
The trailer refrigeration unit does not provide sufficient cooling.	The ambient temperature is too high.	1. Check the refrigeration unit for leaks. 2. Choose a colder location for the refrigeration unit.
	The refrigerant is leaking.	Call for GOVI service.
	The condenser is obstructed.	Clean the condenser.
	Malfunction of fans.	Call for GOVI service.
	The air circulation in the condenser section is blocked.	1. Make sure that there is sufficient space for proper air circulation in the trailer refrigeration unit. 2. Remove any obstructing objects from the air circulation area.
	The air circulation inside the refrigeration unit is impaired.	Check objects in the refrigeration unit. Position the objects so that the air circulation is not obstructed.
The trailer refrigeration unit doesn't switch itself on and off automatically.	No nominal temperature has been set.	Set the nominal temperature to the desired temperature.
	Defective temperature sensor.	Call for GOVI service.
Water leaks out of the trailer refrigeration unit.	The drain hose is obstructed.	Remove objects that obstruct the drain hose by using compressed air.
Icing of the evaporator.	The door of the refrigeration unit is open.	Close the door of the refrigeration unit.
	Defective fan inside the refrigeration unit.	Call for GOVI service.
	Malfunction of defrost heating.	Call for GOVI service.
The lighting in the trailer does not work.	No power supply.	1. Check that the light switch is on. 2. Check that the control button is on. 3. Check that the bulb in the refrigeration trailer works. 4. Check the power supply to the lights. 5. Call for GOVI service.

## 12. Summary

### Summary of Figures

Fig. 3. 1. Nameplate	10
Fig. 3. 2. Dimensions	11
Fig. 4. 1. Box	13
Fig. 4. 2. Transport and storage	14
Fig. 5. 1. Functional diagram	15
Fig. 5. 2. Overview of the trailer refrigeration unit	16
Fig. 6. 1. PU seal of the trailer refrigeration unit	18
Fig. 6. 2. Dimensions of the trailer wall opening	19
Fig. 6. 3. Attachment points of the trailer refrigeration unit	19
Fig. 6. 4. Mounting alignment	20
Fig. 6. 5. Attachment of the trailer refrigeration unit	21
Fig. 6. 6. Sealing inside of the trailer	22
Fig. 7. 1. Operating elements	23
Fig. 8. 1. Commissioning	24
Fig. 9. 1. Operating	26
Fig. 10. 1. Cleaning parts inside the refrigeration unit	28
Fig. 10. 2. Cleaning parts outside the refrigeration unit	29
Fig. 13. 1. Operation manual	32
Fig. 13. 2. Wiring diagrams	33

### Summary of Tables

Tab. 1. 1. List of materials	4
Tab. 3. 1. Technical data	12
Tab. 11. 1. Troubleshooting	30

13. Appendices

13.1 Operation Manual

The operation manual is placed below the control unit outside the trailer refrigeration unit.

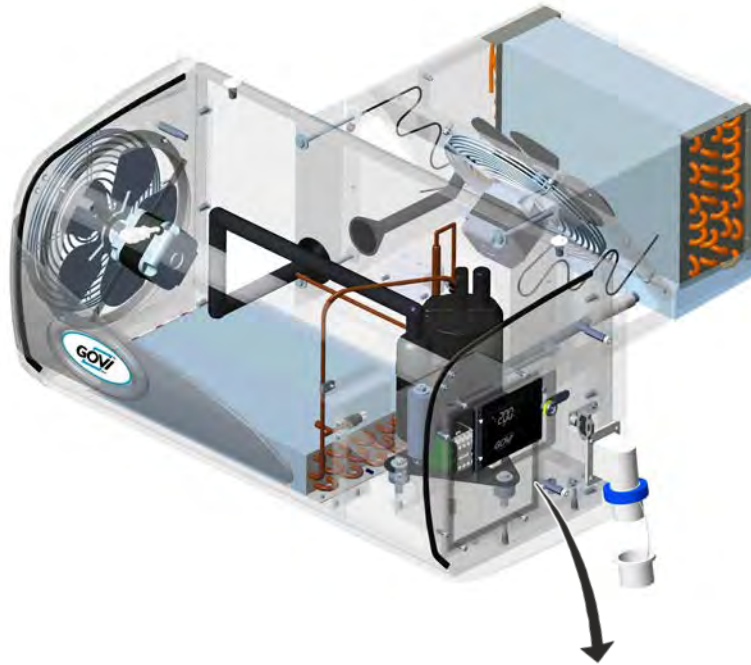


Fig. 13-1 Operation manual

Bedienungsanleitung

DE



**Entsperren der Bedienoberfläche:**  
Halten Sie die AB-Taste für 3 Sekunden gedrückt.

**Ein/Ausschalten der Lampe:**  
Drücken Sie kurz die LICHT-Taste.




**Ein/Ausschalten des Geräts:**  
Halten Sie die ON/OFF-Taste für 5 Sekunden gedrückt.

**Einleitung der manuellen Abtaugung:**  
Halten Sie die AUF-Taste für 5 Sekunden gedrückt.

**Einstellung der Raumtemperatur:**  
Drücken Sie 2x kurz die SET-Taste.  
Im Display erscheint der bereits eingestellte Sollwert.  
Zum Ändern des Sollwerts drücken Sie die AUF-oder AB-Taste. Bestätigen Sie den Sollwert mit der SET-Taste.

User Manual

EN

-  Set-Taste / SET-button
-  ON/OFF-Taste / ON/OFF-button
-  AUF-Taste / UP-button
-  AB-Taste / DOWN-button
-  Licht-Taste / LIGHT-button

**Unlocking the user interface:**  
Press and hold the button DOWN for 3 seconds.

**Turning on/off the light:**  
Briefly press the LIGHT button.

**Turning on/off the device:**  
Press and hold the ON/OFF button for 5 seconds.

**Initiating manual defrosting:**  
Press and hold the UP button for 5 seconds.

**Setting the room temperature:**  
Briefly press twice the SET button.  
The display shows the preset nominal temperature value already set. To change the nominal value, press the UP or DOWN buttons. To confirm the nominal value, press the SET button.



### 13.2 Wiring Diagrams

Fig. 13-2 Wiring Diagrams

The wiring diagram is placed inside the main cover of the trailer refrigeration unit.

**Legend of the wiring diagram**

- F1** Main fuse
- F2** Control switch
- M1** Compressor motor
- M2** Condenser fan motor
- M3** Evaporator fan motor
- E1** Defrosting
- E2** Sump heating
- E3** Drain heater
- K1** Relay compressor
- HP1** Pressure control (HP)
- HP2** Pressure switch condenser fan
- C1** Temperature controller
- Pb2** «Defrost» sensor
- Pb1** «Room temperature» sensor
- S1** «Interior lighting» switch
- S2** «On/off» switch
- H1** Interior lighting
- Door** Door contact switch
- K2** Contactor heat
- K3** Contactor evaporator fan
- TR** Transformer
- R4** Roomheater
- R5** Roomheater
- 2R1** Defrosting
- 2R2** Sump heating
- 2R3** Drain pipe heater
- T** Overheatprotector
- IC974LX** Temperature controller

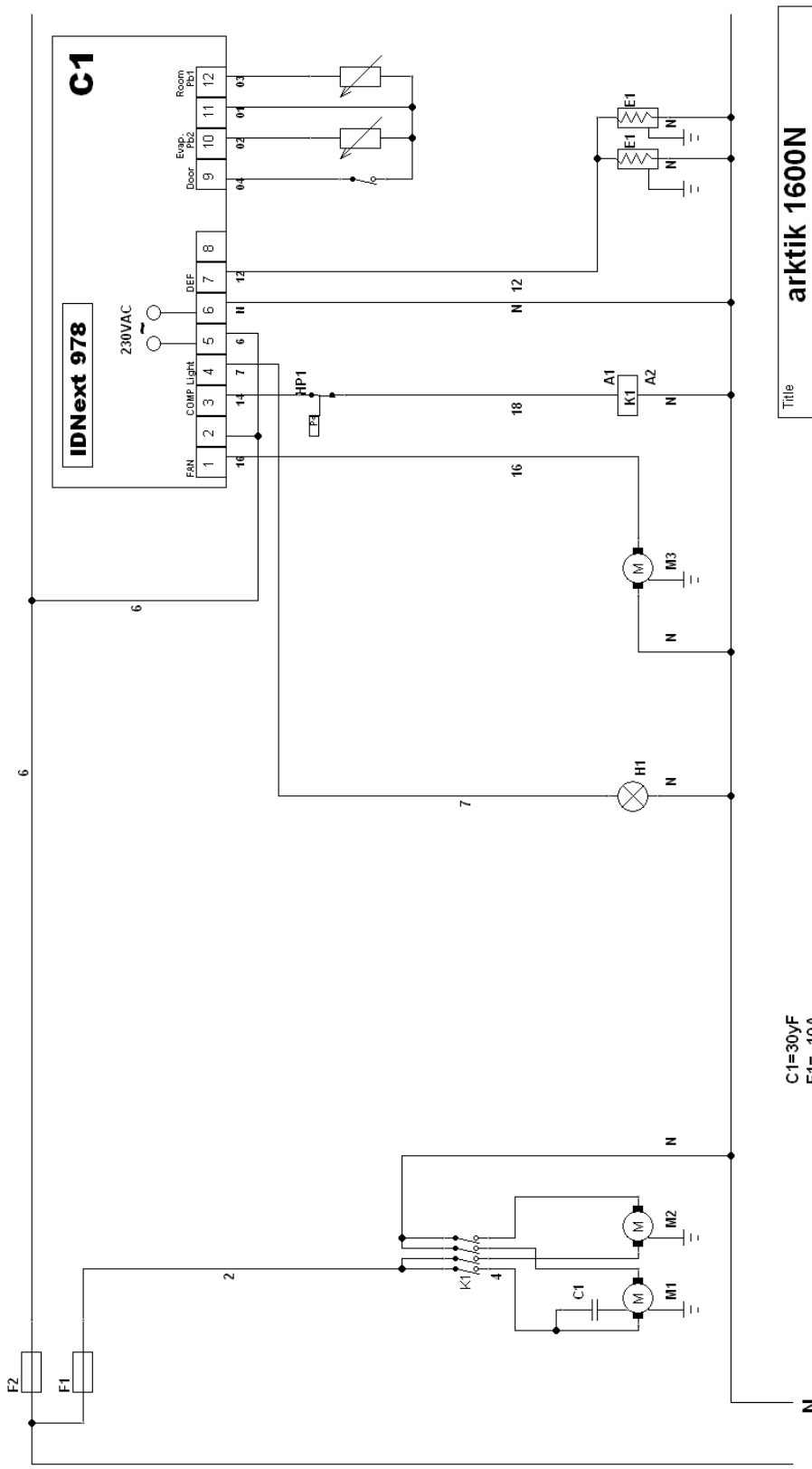


Fig. 13-2 Wiring Diagrams

The wiring diagram is placed inside the main cover of the trailer refrigeration unit.

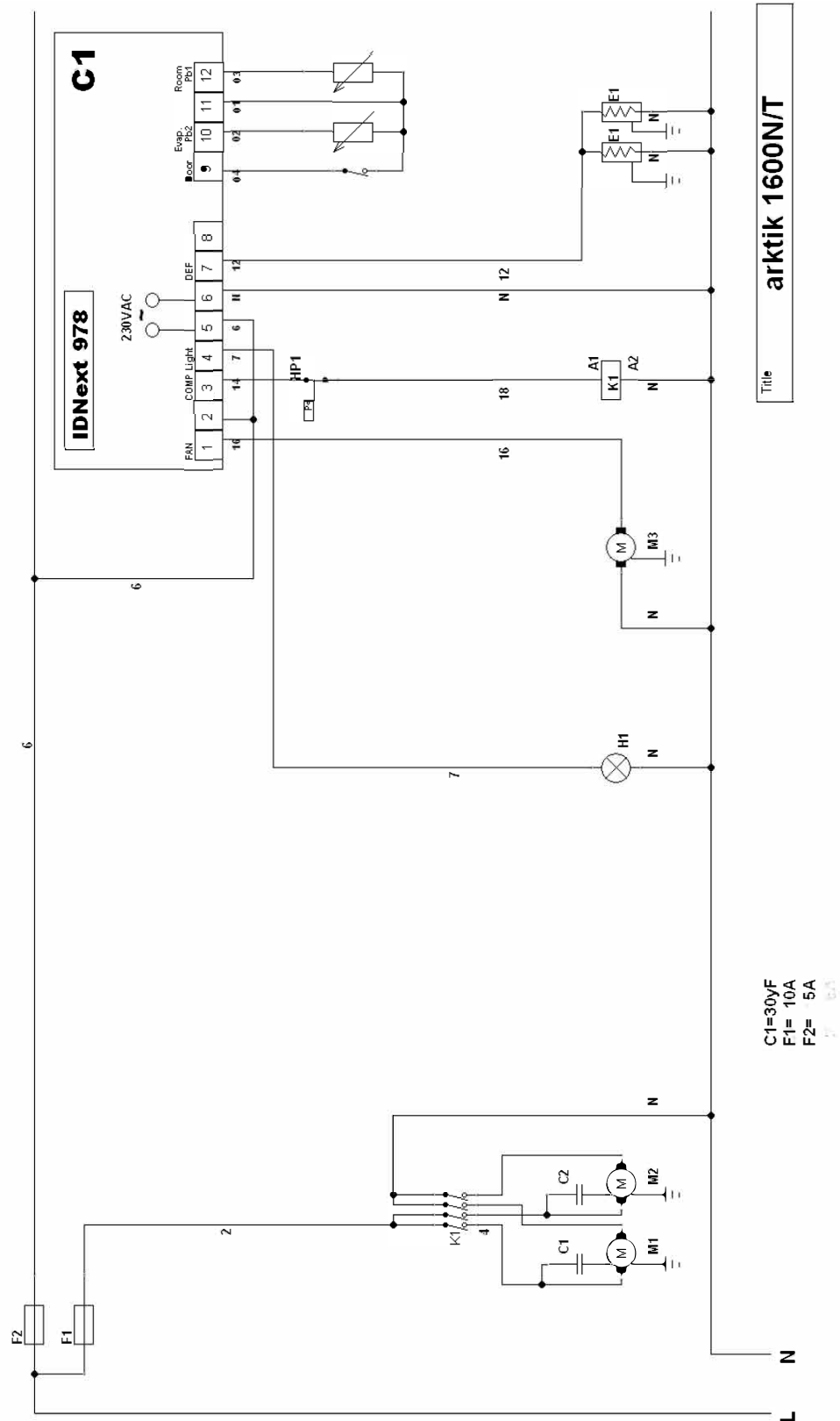


Fig. 13-2 Wiring Diagrams

The wiring diagram is placed inside the main cover of the trailer refrigeration unit.

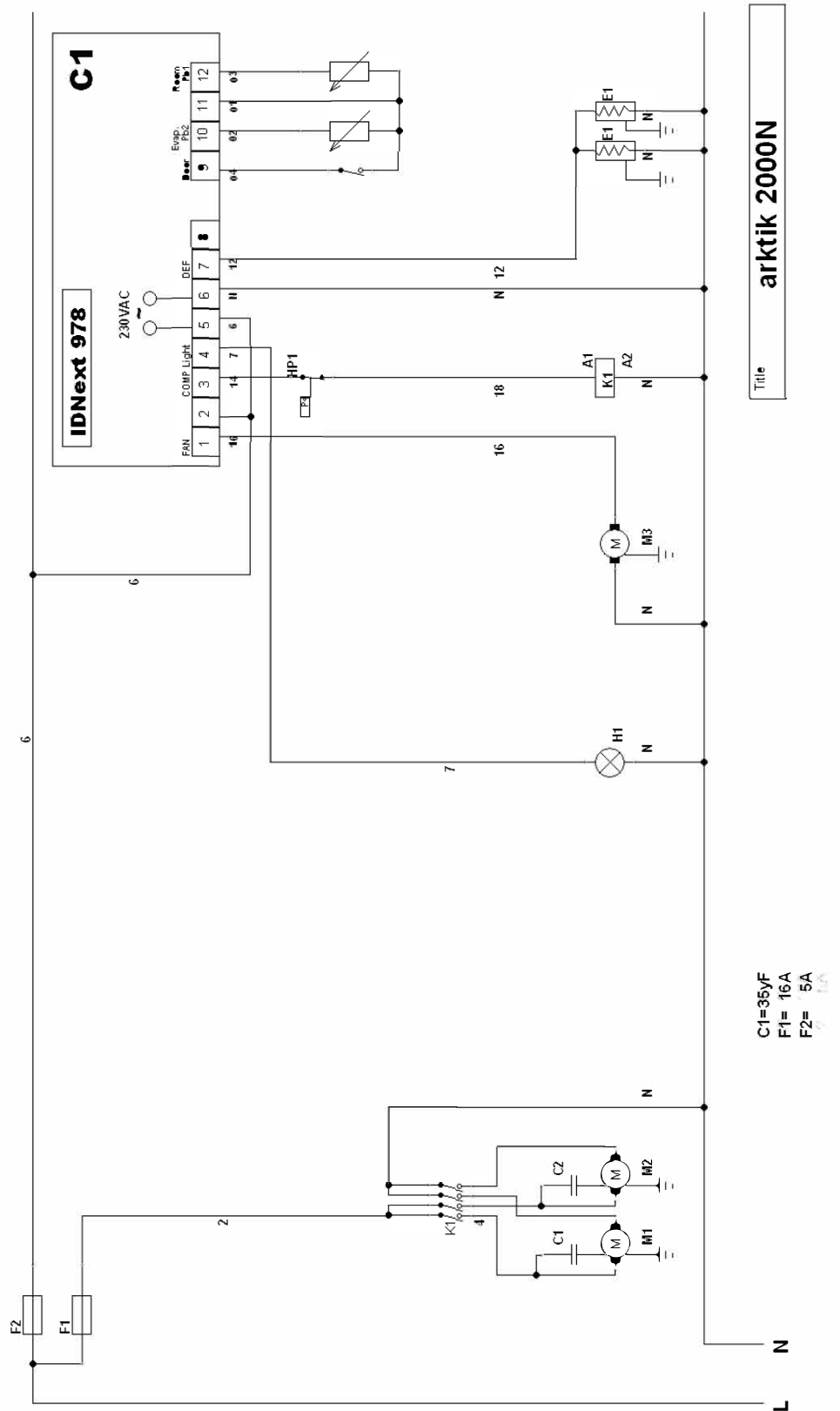


Fig. 13-2 Wiring Diagrams

The wiring diagram is placed inside the main cover of the trailer refrigeration unit.

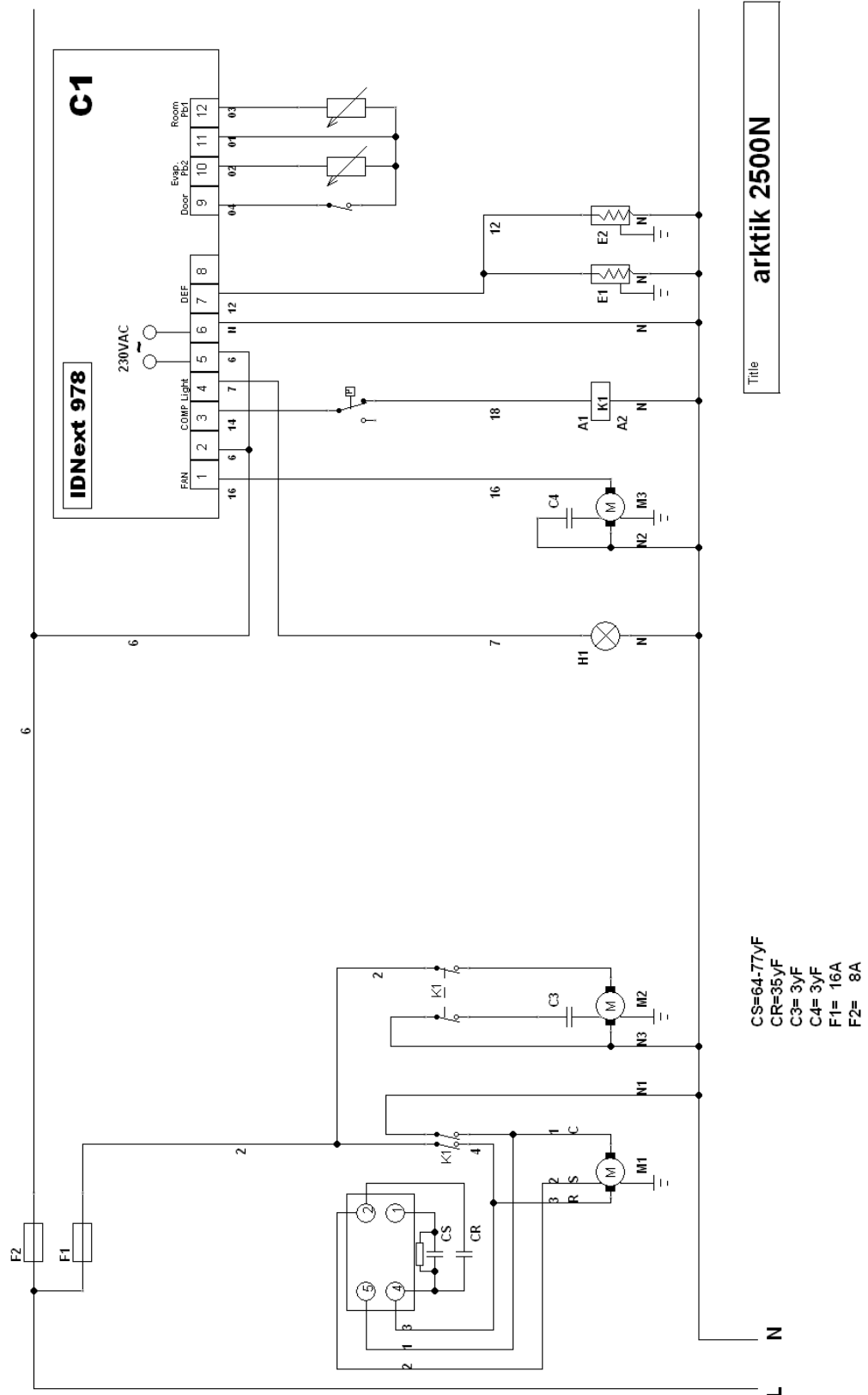


Fig. 13-2 Wiring Diagrams

The wiring diagram is placed inside the main cover of the trailer refrigeration unit.

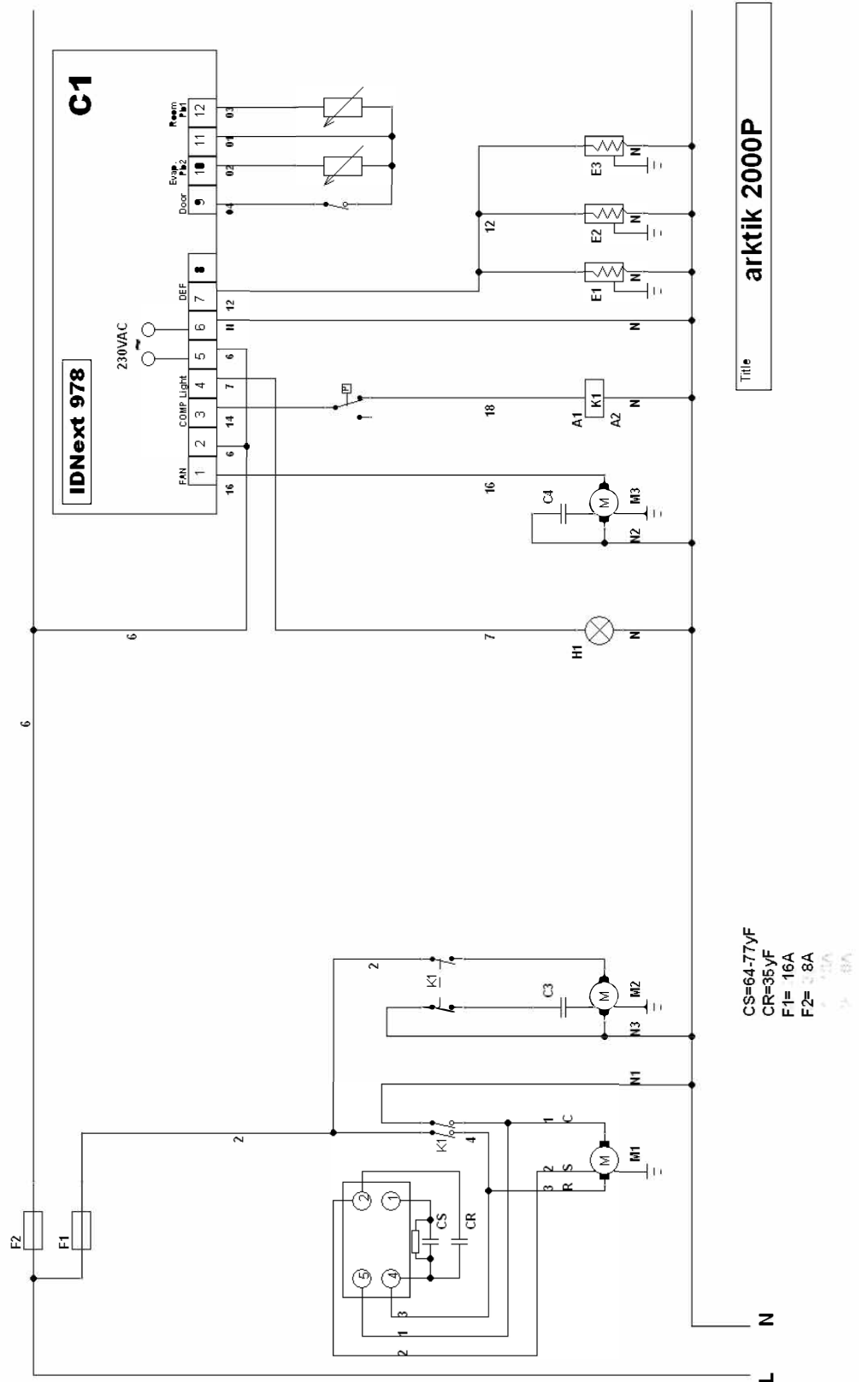


Fig. 13-2 Wiring Diagrams

The wiring diagram is placed inside the main cover of the trailer refrigeration unit.

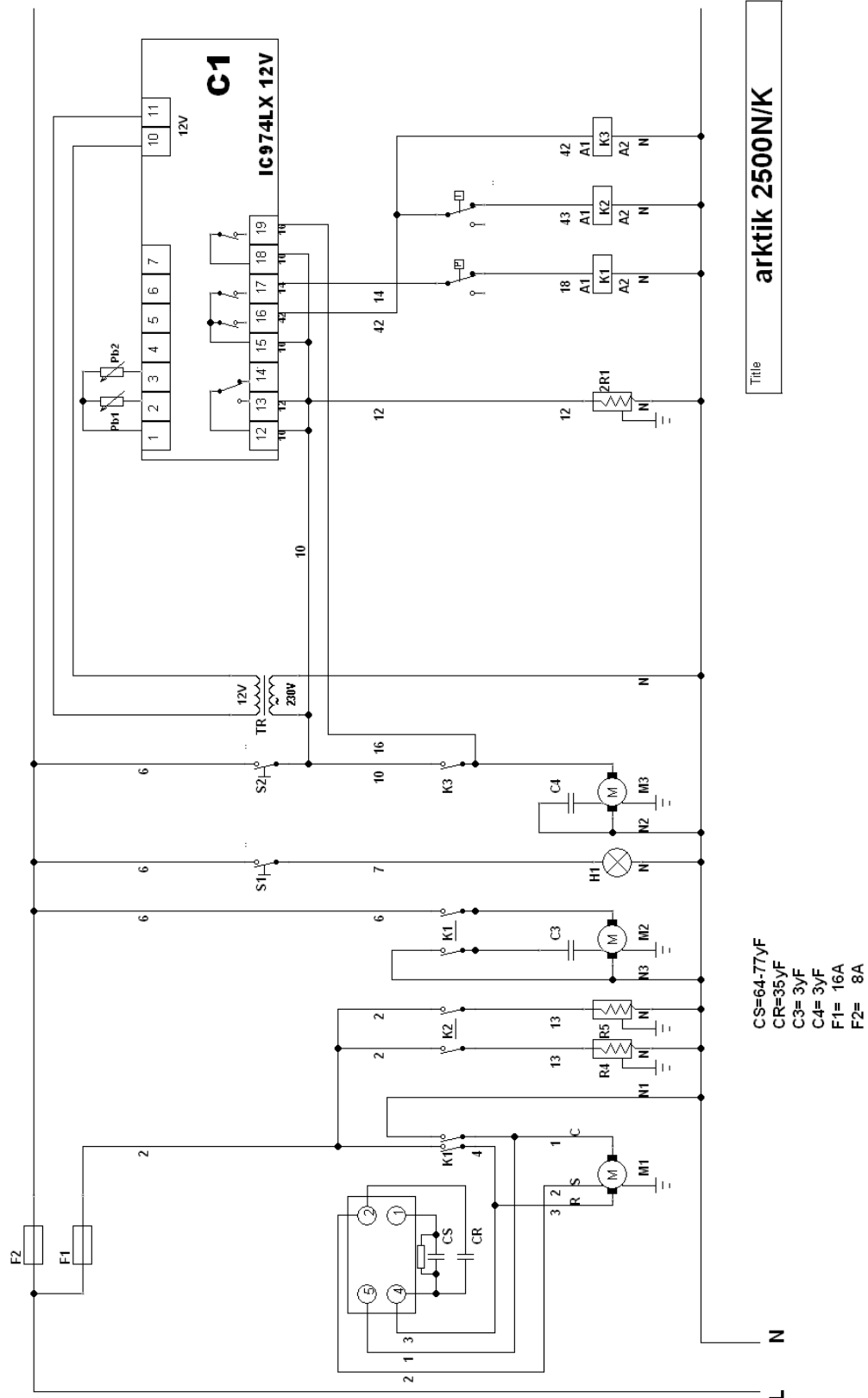
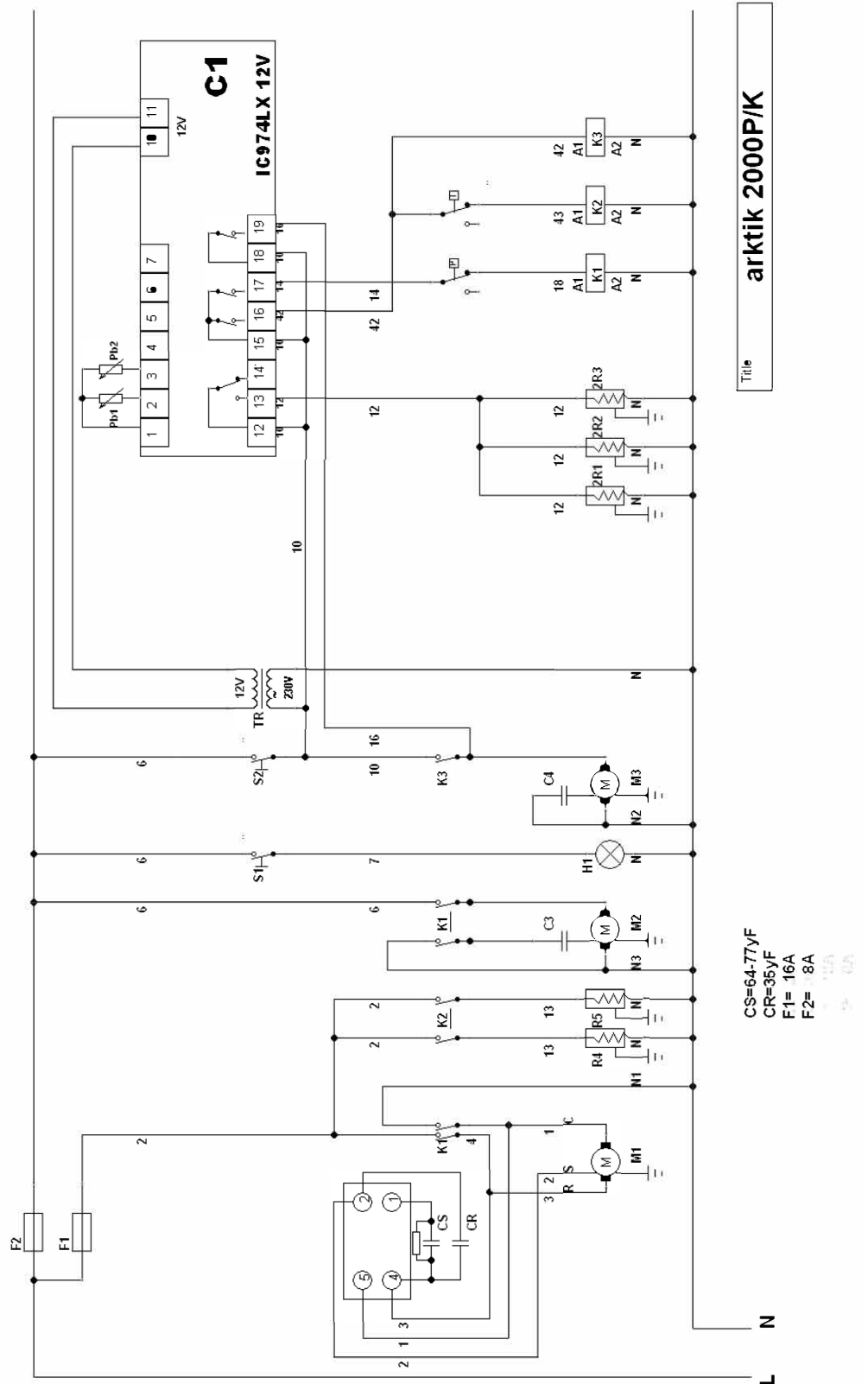


Fig. 13-2 Wiring Diagrams

The wiring diagram is placed inside the main cover of the trailer refrigeration unit.



### 13.3 Safety data sheets

Sicherheitsdatenblatt gemäß 1907/2006/EG **TEGA**

Handelsname: R134a  
 Produkt-Nr.: R134a  
 Aktuelle Version: 1.0.0, erstellt am: 13.03.2019      Ersetzte Version: -, erstellt am: -      Region: DE

**ABSCHNITT 1: Bezeichnung des Stoffs beziehungsweise des Gemischs und des Unternehmens**

1.1 **Produktidentifikator**  
 Handelsname  
**R134a**  
 Name des Stoffs: 1,1,1,2-Tetrafluorethan  
 REACH Registrierungs-nr.: 01-2119459374-33  
 Identifikationsnummern  
 CAS-Nr.: 811-97-2  
 EG-Nr.: 212-377-0

1.2 **Relevante identifizierte Verwendungen des Stoffs oder Gemischs und Verwendungen, von denen abgeraten wird**  
**Relevante identifizierte Verwendungen**  
 Industrielle Anwendung  
 Berufsmäßige Verwendung  
 Kältemittel  
**Verwendungen, von denen abgeraten wird**  
 Endverbraucherwendung

1.3 **Einzelheiten zum Lieferanten, der das Sicherheitsdatenblatt bereitstellt**  
**Adresse**  
 TEGA - Technische Gase und Gasetechnik GmbH  
 Werner-von-Siemens-Straße 16  
 97076 Würzburg  
 Telefon-Nr.: +49 931 2093-220  
 Fax-Nr.: +49 931 2093-160  
 e-mail: kaefertitel@tega.de  
**Auskünfte zum Sicherheitsdatenblatt**  
 sdb\_info@umcoo.de

1.4 **Notrufnummer**  
 Für medizinische Auskünfte (in deutscher und englischer Sprache):  
 +49 (0)551 192 40 (Giflinformationszentrum Nord)

**ABSCHNITT 2: Mögliche Gefahren**

2.1 **Einstufung des Stoffs oder Gemischs**  
 Einstufung gemäß Verordnung (EG) Nr. 1272/2008 (CLP)  
 Press. Gas liq.; H280  
**Hinweise zur Einstufung**  
 Die Einstufung des Produkts wurde auf Basis der folgenden Verfahren gemäß Artikel 9 und den Kriterien der Verordnung (EG) Nr. 1272/2008 ermittelt:  
 Physikalische Gefahren: Bewertung von Profildaten gem. Anhang I, Teil 2  
 Gesundheits- und Umweltrisikofaktoren: Bewertung von toxiologischen und ökotoxikologischen Daten gem. Anhang I, Teil 3 und 4.

2.2 **Kennzeichnungselemente**  
**Kennzeichnung gemäß Verordnung (EG) Nr. 1272/2008 (CLP)**  
**Produktidentifikator**  
 811-97-2 (Norfluran)

Seite 1 von 12

Sicherheitsdatenblatt gemäß 1907/2006/EG **TEGA**

Handelsname: R134a  
 Produkt-Nr.: R134a  
 Aktuelle Version: 1.0.0, erstellt am: 13.03.2019      Ersetzte Version: -, erstellt am: -      Region: DE

**Gefahrenpiktogramm**

**Signalwort**  
 Achtung

**Gefahrenhinweise**  
 H280 Enthält Gas unter Druck; kann bei Erwärmung explodieren.

**Gefahrenhinweise (EU)**  
 EUH018 Kann bei Verwendung explosionsfähige/entzündbare Dampf/Luft-Gemische bilden.

**Sicherheitshinweise**  
 P410/P403 Vor Sonnenbestrahlung schützen. An einem gut belüfteten Ort aufbewahren.

**Ergänzende Kennzeichnungselemente**  
 Enthält fluoridierte Treibgasphase: HFC-134a

2.3 **Sonstige Gefahren**  
 Erstickengefahr durch Verdrängung von Luft/Sauerstoff: Kontakt mit der Flüssigkeit kann Kälteverbrunnungen oder Erfrierungen verursachen. Bitte beachten Sie die Informationen dieses Sicherheitsdatenblattes.  
 PBT-Beurteilung  
 Das Produkt gilt nicht als PBT.  
 vPvB-Beurteilung  
 Das Produkt gilt nicht als vPvB.

**ABSCHNITT 3: Zusammensetzung/Angaben zu Bestandteilen**

3.1 **Stoffe**  
**Chemische Charakterisierung**  
 Name des Stoffs: 1,1,1,2-Tetrafluorethan  
 Summenformel: C2H2F4  
 Molekulargewicht: 102,04  
**Identifikationsnummern**  
 CAS-Nr.: 811-97-2  
 EG-Nr.: 212-377-0

3.2 **Gemische**  
 Nicht zutreffend. Das Produkt ist kein Gemisch.

**ABSCHNITT 4: Erste-Hilfe-Maßnahmen**

4.1 **Beschreibung der Erste-Hilfe-Maßnahmen**  
**Allgemeine Hinweise**  
 Hohe Konzentrationen können Erstickten verursachen. Symptome können Verlust der Bewegungsfähigkeit und des Bewusstseins sein. Das Opfer bemerkt das Erstickten nicht. Betroffenen aus dem Gefahrenbereich bringen und hinlegen. Sofort Arzt hinzuziehen.  
**Nach Einatmen**  
 Betroffene Person unter Einhaltung geeigneter Atemschutzmaßnahmen aus der Gefahrenzone bringen. Für Frischluft sorgen. Bei unregelmäßiger Atmung/Atemstillstand: künstliche Beatmung. Sofort Arzt hinzuziehen.  
**Nach Hautkontakt**  
 Bei Berührung mit der Haut sofort abwaschen mit Wasser und Seife. Bei Erfrierungen mit viel Wasser spülen. Kleidung erst nach dem Auftauen entfernen. Wunde steril abdecken. Sofort Arzt hinzuziehen.  
**Nach Augenkontakt**  
 Kontaktlinsen entfernen. Auge unter Schutz des unverletzten Auges 10 - 15 Minuten unter fließendem Wasser bei weitgespreizten Lidern spülen. Augenärztliche Behandlung.  
**Nach Verschlucken**  
 Mund gründlich mit Wasser spülen. Kein Erbrechen einleiten. Bewusstlosen Personen darf nichts eingebläst werden.

Seite 2 von 12

Sicherheitsdatenblatt gemäß 1907/2006/EG **TEGA**

Handelsname: R134a  
 Produkt-Nr.: R134a  
 Aktuelle Version: 1.0.0, erstellt am: 13.03.2019      Ersetzte Version: -, erstellt am: -      Region: DE

4.2 **Wichtigste akute und verzögert auftretende Symptome und Wirkungen**  
**Symptome**  
 Folgende Symptome können auftreten: Atemstillstand, Atemnot; Benommenheit; Koordinationsstörungen; Bewusstlosigkeit; Herzrhythmusstörungen; Übelkeit; Kopfschmerzen; Kontakt mit verflüssigtem Gas kann Schädlen (Erfrierungen) aufgrund schneller Verdunstungskühlung bewirken. Kann beim Einatmen tödlich sein.

4.3 **Hinweise auf ärztliche Soforthilfe oder Spezialbehandlung**  
 Keine Präparate der Adrenalin-Ephedrin-Gruppe verabreichen. Symptomatisches behandeln.

**ABSCHNITT 5: Maßnahmen zur Brandbekämpfung**

5.1 **Löschmittel**  
**Geeignete Löschmittel**  
 Löschpulver; Wassersprühstrahl; Wassereibel; Schaum; Kohlendioxid; Löschmaßnahmen auf Umgebungsbrand abstimmen.  
**Ungünstige Löschmittel**  
 Wasserverdunstung

5.2 **Besondere vom Stoff oder Gemisch ausgehende Gefahren**  
 Bei Brand kann freigesetzt werden: Kohlenmonoxid und Kohlendioxid; Fluorwasserstoff (HF); Carbonylfluorid; Explosionsgefahr bei Erhitzen; Verflüssigtes Gas; austretende Flüssigkeit kann Erfrierungen verursachen. Das Gas ist schwerer als Luft, es kann sich in tiefergelegenen Räumlichkeiten ansammeln.

5.3 **Hinweise für die Brandbekämpfung**  
 Umflughinweisgees Atemschutzgerät verwenden. Vollschutzanzug tragen. Gefährdete Behälter wenn möglich aus der Gefahrenzone bringen. Geschlossene Behälter in Nähe des Brandherdes mit Wasser kühlen. Druckbegrenzung. Berst- und Explosionsgefahr beim Erhitzen. Brandrückstände und kontaminiertes Löschwasser müssen entsprechend den örtlichen behördlichen Vorschriften entsorgt werden.

**ABSCHNITT 6: Maßnahmen bei unbeabsichtigter Freisetzung**

6.1 **Personenbezogene Vorsichtsmaßnahmen, Schutzausrüstungen und in Notfällen anzuwendende Verfahren**  
**Nicht für Notfälle geschultes Personal**  
 Schutzvorschriften (siehe Abschnitt 7) und 8) beachten. Für gute Raumbelüftung auch im Bodenbereich sorgen (Dämpfe sind schwerer als Luft). Gas nicht einatmen. Zündquellen fernhalten. Persönliche Schutzkleidung verwenden. Den kontaminierten Bereich absperren und kennzeichnen. Personen in Sicherheit bringen.  
**Einstrahlhöhe**  
 Keine Angaben verfügbar. Persönliche Schutzausrüstung – siehe Abschnitt 8.

6.2 **Umweltschutzmaßnahmen**  
 Freisetzung in die Umwelt vermeiden. Gase/Dämpfe/Nebel mit Wassersprühstrahl niederschlagen.

6.3 **Methoden und Material für Rückhaltung und Reinigung**  
 Für ausreichende Lüftung sorgen. Das aufgenommene Material vorschriftsmäßig entsorgen.

6.4 **Verweis auf andere Abschnitte**  
 Informationen zur sicheren Handhabung siehe Abschnitt 7. Informationen zur persönlichen Schutzausrüstung siehe Abschnitt 8. Informationen zur Entsorgung siehe Abschnitt 13.

Seite 3 von 12

Sicherheitsdatenblatt gemäß 1907/2006/EG **TEGA**

Handelsname: R134a  
 Produkt-Nr.: R134a  
 Aktuelle Version: 1.0.0, erstellt am: 13.03.2019      Ersetzte Version: -, erstellt am: -      Region: DE

**ABSCHNITT 7: Handhabung und Lagerung**

7.1 **Schutzmaßnahmen zur sicheren Handhabung**  
**Hinweise zum sicheren Umgang**  
 Handhabung nur durch qualifiziertes und geschultes Personal. Für gute Raumbelüftung sorgen, gegebenenfalls Abblugung am Arbeitsplatz. Anwendung nur nach Gebrauchsanweisung. Behälter nicht unter Druck setzen, aufschneiden, schweißen, hartlöten, löten, anbohren, schleifen und von Hitze und Zündquellen fernhalten. Bei Austritt von flüssigem Produkt Gefahr durch tiefe Temperaturen. Das Material nur an Orten verwenden, bei denen offenes Licht, Feuer und andere Zündquellen ferngehalten werden. Die Bildung entzündlicher und explosionsfähiger Dampfkonzentrationen in der Luft und ein Überschreiten der Arbeitsplatzgrenzwerte vermeiden. Behälter steht unter Druck. Vor Sonnenstrahlung und Temperaturen über 50 °C schützen. Auch nach Gebrauch nicht gewaltsam öffnen oder verformen. Gesetzliche Schutz- und Sicherheitsvorschriften befolgen.  
**Allgemeine Schutz- und Hygienemaßnahmen**  
 Vor den Pausen und bei Arbeitende Hände waschen. Gase nicht einatmen. Bei der Arbeit nicht rauchen, essen oder trinken. Von Nahrungsmitteln und Getränken fernhalten. Noddische bereithalten.  
**Hinweise zum Brand- und Explosionschutz**  
 Das Produkt ist nicht brennbar. Der Stoff kann mit Luft bei erhöhtem Druck ein brennbares Gemisch bilden. Von Hitzequellen, Funken und offenen Flammen fernhalten. Maßnahmen gegen elektrostatische Aufladungen treffen (Erdung beim Umfüllen). Elektrische Geräte müssen nach dem anerkannten Standard geschützt sein.

7.2 **Bedingungen zur sicheren Lagerung unter Berücksichtigung von Unverträglichkeiten**  
**Technische Maßnahmen und Lagerungsbedingungen**  
 Behälter dicht geschlossen halten, an einem kühlen, gut belüfteten Ort aufbewahren, mit Vorsicht öffnen und handhaben. Vor Hitze und direkter Sonnenstrahlung schützen.  
**Empfohlene Lagertemperatur**  
 Wert < 50 °C  
**Anforderung an Lagerräume und Behälter**  
 Gefüllte Behälter sorgfältig verschließen und aufrecht lagern, um jegliches Ausströmen zu verhindern. Stets in Behältern aufbewahren, die dem Originalgebinde entsprechen.  
**Zusammenlagerungshinweise**  
 Zu vermeidende Substanzen, siehe Abschnitt 10.  
**Lagerklasse gemäß TRGS 510**  
 ZA Gase (ohne Aerosolpackungen und Feuerzeuge)

7.3 **Spezifische Endanwendungen**  
 Keine Angaben verfügbar.

**ABSCHNITT 8: Begrenzung und Überwachung der Exposition/Persönliche Schutzausrüstungen**

8.1 **Zu überwachende Parameter**  
**Arbeitsplatzgrenzwerte**

Nr.	Name des Stoffs	CAS-Nr.	EG-Nr.
1	Norfluran	811-97-2	212-377-0
<b>TRGS 900</b>			
Norfluran			
Wert	4200	mg/m <sup>3</sup>	1000
Spitzenbegrenzung	5(1)		ml/m <sup>3</sup>
<b>Bemerkungen</b>			

**DNEL, DMEL und PNEC Werte**

DNEL Werte (Arbeitnehmer)			
Nr.	Name des Stoffs	Einwirkungsdauer	Wirkung
<b>CAS / EG Nr.</b>			
<b>Wert</b>			
1	Norfluran	811-97-2	212-377-0
Inhalativ	Langzeit (chronisch)	systemisch	13936
			mg/m <sup>3</sup>

Seite 4 von 12



### 13.3 Safety data sheets

Sicherheitsdatenblatt gemäß 1907/2006/EG **TEGA**

Handelsname: R134a  
 Produkt-Nr.: R134a  
 Aktuelle Version: 1.0.0, erstellt am: 13.03.2019 Ersetzte Version: -, erstellt am: - Region: DE

**DNEL Werte (Verbraucher)**

Nr.	Name des Stoffs	Aufnahmeweg	Einwirkungsdauer	Wirkung	CAS / EG Nr.	Wert
1	Norfluran	inhalativ	Langzeit (chronisch)	systemisch	811-97-2 212-377-0	mg/m <sup>3</sup>

**PNEC Werte**

Nr.	Name des Stoffs	Umweltkompartiment	Art	CAS / EG Nr.	Wert
1	Norfluran	Wasser	Süßwasser	811-97-2 212-377-0	0,1 mg/L
		Wasser	Meerwasser		0,01 mg/L
		Wasser	Süßwasser Sediment		0,75 mg/kg
		Wasser	Aqua intermedium		1 mg/L
		Kläranlage (STP)	-		73 mg/L

**8.2 Begrenzung und Überwachung der Exposition**

**Geeignete technische Steuerungseinrichtungen**  
 Für gute Raumbelüftung sorgen, gegebenenfalls Absaugung am Arbeitsplatz. Falls dies nicht ausreicht, um die Aerosol- und Lösemittelkonzentration unter den Arbeitsplatzgrenzwerten zu halten, muss ein geeignetes Atemschutzgerät getragen werden.

**Persönliche Schutzausrüstung**

**Atemschutz**  
 Unlüftungsabhängiges Atemschutzgerät. Atemschutz bei ungenügender Absaugung oder längerer Einwirkung. Bei hohen Konzentrationen in der Atemluft besteht Erstickengefahr.  
 Atemfilter-Gas AX

**Augen-/Gesichtsschutz**  
 Dichtschließende Schutzbrille (DIN EN 166).

**Handschutz**  
 Kälteschutzhandschuhe (EN 511). Bei möglichem Hautkontakt mit dem Produkt bietet die Verwendung von Handschuhen, geprüft nach z.B. EN 374, ausreichenden Schutz. Der Schutzhandschuh sollte in jedem Fall auf seine arbeitsplatzspezifische Eignung (z.B. mechanische Beständigkeit, Produktverträglichkeit, Antistatik) geprüft werden. Anweisungen und Informationen des Handschuhherstellers zur Anwendung, Lagerung, Pflege und zum Austausch der Handschuhe befolgen. Die Schutzhandschuhe sollten bei Beschädigung oder ersten Abnutzungserscheinungen sofort ersetzt werden. Arbeitsvorläufe so gestalten, dass nicht dauernd Handschuhe getragen werden müssen.  
 Geeignetes Material Leder

**Sonstige Schutzmaßnahmen**  
 Chemikalienbesandige Arbeitskleidung, Sicherheitsschuhe.

**Begrenzung und Überwachung der Umweltextposition**  
 Informationen zur Entsorgung siehe Abschnitt 13.

**ABSCHNITT 9: Physikalische und chemische Eigenschaften**

**9.1 Angaben zu den grundlegenden physikalischen und chemischen Eigenschaften**

**Form/Farbe**  
 verfügbares Gas  
 farblos

**Geruch**  
 schwach etherartig

Seite 5 von 12

Sicherheitsdatenblatt gemäß 1907/2006/EG **TEGA**

Handelsname: R134a  
 Produkt-Nr.: R134a  
 Aktuelle Version: 1.0.0, erstellt am: 13.03.2019 Ersetzte Version: -, erstellt am: - Region: DE

**Geschmacksschwelle**  
 Keine Daten vorhanden

**pH-Wert**  
 Keine Daten vorhanden

**Siedepunkt / Siedebereich**  
 Wert: -26 °C  
 Bezugsdruck: 1013 hPa

**Schmelzpunkt / Schmelzbereich**  
 Keine Daten vorhanden

**Erstarrungspunkt / Erstarrungsbereich**  
 Wert: -108 °C  
 Bezugsdruck: 1013 hPa

**Zersetzungspunkt / Zersetzungsgebiet**  
 Keine Daten vorhanden

**Flammpunkt**  
 Keine Daten vorhanden

**Selbstentzündungstemperatur**  
 Wert: 743 °C

**Oxidierende Eigenschaften**  
 Das Produkt hat keine brandfördernden Eigenschaften.

**Explosive Eigenschaften**  
 Keine Daten vorhanden

**Entzündbarkeit (fest, gasförmig)**  
 Das Produkt ist nicht entzündlich.

**Untere Entzündbarkeits- oder Explosionsgrenze**  
 Keine Daten vorhanden

**Obere Entzündbarkeits- oder Explosionsgrenze**  
 Keine Daten vorhanden

**Dampfdruck**  
 Wert: 5700 hPa  
 Bezugsdruck: 20 °C

**Dampfdichte**  
 Keine Daten vorhanden

**Verdampfungsgeschwindigkeit**  
 Wert: > 1  
 Bemerkung: CCd4 = 1

**Relative Dichte**  
 Wert: 4,24  
 Bezugsdruck: 20 °C

**Dichte**  
 Keine Daten vorhanden

**Wasserlöslichkeit**  
 Wert: 1 g/l  
 Bezugsdruck: 25 °C

Seite 6 von 12

Sicherheitsdatenblatt gemäß 1907/2006/EG **TEGA**

Handelsname: R134a  
 Produkt-Nr.: R134a  
 Aktuelle Version: 1.0.0, erstellt am: 13.03.2019 Ersetzte Version: -, erstellt am: - Region: DE

**Löslichkeit(en)**  
 Keine Daten vorhanden

**Verteilungskoeffizient: n-Octanol/Wasser**

Nr.	Name des Stoffs	CAS-Nr.	EG-Nr.
1	Norfluran	811-97-2	212-377-0

log Pow: 1,08  
 Bezugsdruck: 25 °C  
 bezogen auf: pH 6,0  
 Methode: OECD 107  
 Quelle: ECHA

**Viskosität**  
 Keine Daten vorhanden

**9.2 Sonstige Angaben**

**Sonstige Angaben**  
 Keine Angaben verfügbar.

**ABSCHNITT 10: Stabilität und Reaktivität**

**10.1 Reaktivität**  
 Bei bestimmungsgemäßer Verwendung sind keine gefährlichen Reaktionen zu erwarten. Zur Vermeidung thermischer Zersetzung nicht überhitzen.

**10.2 Chemische Stabilität**  
 Bei Anwendung der empfohlenen Vorschriften zur Lagerung und Handhabung stabil (siehe Abschnitt 7).

**10.3 Möglichkeit gefährlicher Reaktionen**  
 Bei Anwendung der empfohlenen Vorschriften zur Lagerung und Handhabung stabil (siehe Abschnitt 7).

**10.4 Zu vermeidende Bedingungen**  
 Temperaturen > 50 °C, Hitze, offene Flammen und andere Zündquellen.

**10.5 Unverträgliche Materialien**  
 Alkalimetalle, Erdalkalimetalle, Metalle in Pulverform, Pulverförmige Metallsalze

**10.6 Gefährliche Zersetzungsprodukte**  
 Keine bei bestimmungsgemäßer Verwendung. Bei Brand: siehe Abschnitt 5.

Seite 7 von 12

Sicherheitsdatenblatt gemäß 1907/2006/EG **TEGA**

Handelsname: R134a  
 Produkt-Nr.: R134a  
 Aktuelle Version: 1.0.0, erstellt am: 13.03.2019 Ersetzte Version: -, erstellt am: - Region: DE

**ABSCHNITT 11: Toxikologische Angaben**

**11.1 Angaben zu toxikologischen Wirkungen**

**Akute orale Toxizität**  
 Keine Daten vorhanden

**Akute dermale Toxizität**  
 Keine Daten vorhanden

**Akute inhalative Toxizität**  
 Keine Daten vorhanden

**Aiz-/Reizwirkung auf die Haut**  
 Keine Daten vorhanden

**Schwere Augenschädigung/-reizung**  
 Keine Daten vorhanden

**Sensibilisierung der Atemwege/Haut**  
 Keine Daten vorhanden

**Keimzell-Mutagenität**

Nr.	Name des Stoffs	CAS-Nr.	EG-Nr.
1	Norfluran	811-97-2	212-377-0

Art der Untersuchung: Genotoxizität in vitro  
 Spezies: Salmonella typhimurium  
 Methode: OECD 471  
 Quelle: ECHA  
 Bewertung/Einstufung: Aufgrund der verfügbaren Daten sind die Einstufungskriterien nicht erfüllt.

Art der Untersuchung: Genotoxizität in vitro  
 Spezies: Human Lymphocyte  
 Methode: OECD 473  
 Quelle: ECHA  
 Bewertung/Einstufung: Aufgrund der verfügbaren Daten sind die Einstufungskriterien nicht erfüllt.

**Aufnahmewege**

Nr.	Name des Stoffs	CAS-Nr.	EG-Nr.
1	Norfluran	811-97-2	212-377-0

Aufnahmeweg: inhalativ  
 Spezies: Maus  
 Methode: EPA  
 Quelle: ECHA  
 Bewertung/Einstufung: Aufgrund der verfügbaren Daten sind die Einstufungskriterien nicht erfüllt.

**Reproduktionstoxizität**

Nr.	Name des Stoffs	CAS-Nr.	EG-Nr.
1	Norfluran	811-97-2	212-377-0

Aufnahmeweg: inhalativ  
 Spezies: Maus  
 Methode: ECHA  
 Quelle: ECHA  
 Bewertung/Einstufung: Aufgrund der verfügbaren Daten sind die Einstufungskriterien nicht erfüllt.

**Karzinogenität**

Nr.	Name des Stoffs	CAS-Nr.	EG-Nr.
1	Norfluran	811-97-2	212-377-0

Aufnahmeweg: inhalativ  
 Spezies: Ratte  
 Methode: ECHA  
 Quelle: ECHA  
 Bewertung/Einstufung: Aufgrund der verfügbaren Daten sind die Einstufungskriterien nicht erfüllt.

Seite 8 von 12

### 13.3 Safety data sheets

**Sicherheitsdatenblatt gemäß 1907/2006/EG** **TEGA**

Handelsname: R134a  
 Produkt-Nr.: R134a  
 Aktuelle Version: 1.0.0, erstellt am: 13.03.2019 Ersetzte Version: -, erstellt am: - Region: DE

**Spezifische Zielorgan-Toxizität bei einmaliger Exposition**  
 Keine Daten vorhanden

**Spezifische Zielorgan-Toxizität bei wiederholter Exposition**

Nr.	Name des Stoffs	CAS-Nr.	EG-Nr.
1	Norfluran	811-97-2	212-377-0

Aufnahmewege: Inhalativ  
 Spezies: Ratte  
 Methode: OECD 453  
 Quelle: ECHA  
 Bewertung/Einstufung: Aufgrund der verfügbaren Daten sind die Einstufungskriterien nicht erfüllt.

**Aspirationsgefahr**  
 Keine Daten vorhanden

**ABSCHNITT 12: Umweltbezogene Angaben**

**12.1 Toxizität**

**Fischtoxizität (akut)**

Nr.	Name des Stoffs	CAS-Nr.	EG-Nr.
1	Norfluran	811-97-2	212-377-0

LC50: 450 mg/l  
 Expositionsdauer: 96 Std.  
 Spezies: Salmo gairdneri  
 Methode: EU C, 1  
 Quelle: ECHA  
 Bewertung/Einstufung: Aufgrund der verfügbaren Daten sind die Einstufungskriterien nicht erfüllt.

**Fischtoxizität (chronisch)**  
 Keine Daten vorhanden

**Daphnientoxizität (akut)**

Nr.	Name des Stoffs	CAS-Nr.	EG-Nr.
1	Norfluran	811-97-2	212-377-0

EC50: 980 mg/l  
 Expositionsdauer: 48 Std.  
 Spezies: Daphnia magna  
 Methode: EU C, 2  
 Quelle: ECHA  
 Bewertung/Einstufung: Aufgrund der verfügbaren Daten sind die Einstufungskriterien nicht erfüllt.

Seite 9 von 12

**Sicherheitsdatenblatt gemäß 1907/2006/EG** **TEGA**

Handelsname: R134a  
 Produkt-Nr.: R134a  
 Aktuelle Version: 1.0.0, erstellt am: 13.03.2019 Ersetzte Version: -, erstellt am: - Region: DE

**Daphnientoxizität (chronisch)**  
 Keine Daten vorhanden

**Algtoxizität (akut)**  
 Keine Daten vorhanden

**Algtoxizität (chronisch)**  
 Keine Daten vorhanden

**Bakterientoxizität**  
 Keine Daten vorhanden

**12.2 Persistenz und Abbaubarkeit**

**Biologische Abbaubarkeit**

Nr.	Name des Stoffs	CAS-Nr.	EG-Nr.
1	Norfluran	811-97-2	212-377-0

Art: West  
 Dauer: 3 %  
 Methode: OECD 301 D  
 Quelle: ECHA  
 Bewertung: Aerobe biologische Abbaubarkeit  
 nicht leicht biologisch abbaubar

**12.3 Bioakkumulationspotenzial**

**Verteilungskoeffizient: n-Octanol/Wasser**

Nr.	Name des Stoffs	CAS-Nr.	EG-Nr.
1	Norfluran	811-97-2	212-377-0

log Pow: 1,06  
 Bezugsstemperatur: 25 °C  
 Methode: OECD 107  
 Quelle: ECHA

**12.4 Mobilität im Boden**  
 Keine Angaben verfügbar.

**12.5 Ergebnisse der PBT- und vPvB-Beurteilung**

Ergebnisse der PBT- und vPvB-Beurteilung	
PBT-Beurteilung	Das Produkt gilt nicht als PBT.
vPvB-Beurteilung	Das Produkt gilt nicht als vPvB.

**12.6 Andere schädliche Wirkungen**

**Andere schädliche Wirkungen**  
 Erwärmungspotential (GWP): 1430

**12.7 Sonstige Angaben**

**Sonstige Angaben**  
 Produkt nicht kontrolliert in die Umwelt gelangen lassen.

**ABSCHNITT 13: Hinweise zur Entsorgung**

**13.1 Verfahren der Abfallbehandlung**

**Produkt**  
 Entsorgung gemäß den behördlichen Vorschriften.  
 Die Zuordnung einer Abfallschlüsselnummer gemäß europäischem Abfallkatalog (AVV) ist in Absprache mit dem regionalen Entsorger vorzunehmen.

**Verpackung**  
 Druckgaspackung steht unter Druck, darf nicht gewaltsam geöffnet und nicht über 50°C erwärmt werden. Nur völlig restentleerte Druckgaspackungen wegwerfen. Leere Druckgaspackungen nicht verbrennen. Ungeweihte Behälter nicht durchlöchern, zerschneiden oder schweißen.

Seite 10 von 12

**Sicherheitsdatenblatt gemäß 1907/2006/EG** **TEGA**

Handelsname: R134a  
 Produkt-Nr.: R134a  
 Aktuelle Version: 1.0.0, erstellt am: 13.03.2019 Ersetzte Version: -, erstellt am: - Region: DE

**ABSCHNITT 14: Angaben zum Transport**

**14.1 Transport ADR/RID/IADN**

Klasse	2
Klassifizierungscode	2A
Gefahrer (Romer-Zahl)	20
UN-Nummer	UN3159
Bezeichnung des Gutes	1,1,1,2-TETRAFLUORETHAN (GAS ALS KÄLTEMITTEL R 134a)
Tunnelbeschränkungscode	C/E
Gefahrzettel	2,2 RID; (+13)

**14.2 Transport IMDG**

Klasse	2,2
UN-Nummer	UN3159
Proper shipping name	1,1,1,2-TETRAFLUORETHANE (REFRIGERANT GAS R 134a)
EmS	F-G, S-V
Label	2,2

**14.3 Transport ICAO-TI / IATA**

Klasse	2,2
UN-Nummer	UN3159
Proper shipping name	1,1,1,2-Tetrafluorethane
Label	2,2

**14.4 Sonstige Angaben**  
 Keine Angaben verfügbar.

**14.5 Umweltgefahren**  
 Angaben zu Umweltgefahren, sofern relevant, siehe 14.1 - 14.3.

**14.6 Besondere Vorsichtsmaßnahmen für den Verwender**  
 Transport immer in geschlossenen, aufrecht stehenden und sicheren Behältern. Sicherstellen, dass Personen, die das Produkt transportieren, wissen, was im Falle eines Unfalls oder Auslaufens zu tun ist.

**14.7 Massengutbeförderung gemäß Anhang II des MARPOL-Übereinkommens und gemäß IBC-Code**  
 Nicht relevant

**ABSCHNITT 15: Rechtsvorschriften**

**15.1 Vorschriften zu Sicherheit, Gesundheits- und Umweltschutz / spezifische Rechtsvorschriften für den Stoff oder das Gemisch**

**EU Vorschriften**

**Verordnung (EG) Nr. 1907/2006 (REACH) Anhang XIV (Verzeichnis der zulassungspflichtigen Stoffe)**  
 Das Produkt enthält keine(n) Stoff(en), die/die gemäß REACH Verordnung (EG) 1907/2006 Anhang XIV als zulassungspflichtige Stoff(e) gelten.

**REACH Kandidatenliste besonders besorgniserregender Stoffe (SVHC) für das Zulassungsverfahren**  
 Der Stoff gilt nicht gemäß Artikel 57 in Verbindung mit Artikel 59 der REACH Verordnung (EG) 1907/2006 als ein für die Aufnahme in den Anhang XVII in Frage kommender Stoff (Verzeichnis der zulassungspflichtigen Stoffe).

**Verordnung (EG) Nr. 1907/2006 (REACH) Anhang XVII: Beschränkungen der Herstellung, des Inverkehrbringens und der Verwendung bestimmter gefährlicher Stoffe, Gemische und Erzeugnisse**  
 Der Stoff unterliegt nicht REACH Verordnung (EG) 1907/2006 Anhang XVII.

**Richtlinie 2012/18/EU zur Beherrschung der Gefahren schwerer Unfälle mit gefährlichen Stoffen**  
 Der Stoff unterliegt nicht Anhang I, Teil 1 oder 2.

**Sonstige Vorschriften**  
 VERORDNUNG (EU) Nr. 517/2014 über fluorierte Treibhausgase  
 Die nationalen Gesundheits- und Arbeitsschutzvorschriften sind bei der Verwendung dieses Produktes anzuwenden.

Seite 11 von 12

**Sicherheitsdatenblatt gemäß 1907/2006/EG** **TEGA**

Handelsname: R134a  
 Produkt-Nr.: R134a  
 Aktuelle Version: 1.0.0, erstellt am: 13.03.2019 Ersetzte Version: -, erstellt am: - Region: DE

**Nationale Vorschriften**

**Wassergefährdungsklasse**

Klasse	1
Kenn-Nr.	2350
Quelle	Einstufung gemäß AwSV (Verordnung über Anlagen zum Umgang mit wassergefährdenden Stoffen).

**Sonstige Vorschriften**  
 zu beachten: Technische Regel Druckbehälter TRB 610, BGI 546 \*Umgang mit Gefahrstoffen\*; Zu beachten: TRGS 510 \*Lagerung von Gefahrstoffen in ortsbeweglichen Behältern\*

**15.2 Stofficherheitsbeurteilung**  
 Eine Stofficherheitsbeurteilung wurde für diesen Stoff durchgeführt.

**ABSCHNITT 16: Sonstige Angaben**

**Datenquellen, die zur Erstellung des Datenblattes verwendet wurden:**  
 Verordnung (EG) Nr. 1907/2006 (REACH), 1272/2008 (CLP) in der jeweils gültigen Fassung.  
 EG-Richtlinien 2000/39/EG, 2006/15/EG, 2009/16/EG  
 Nationale Arbeitsstättenrichtlinien der jeweiligen Länder in der jeweils gültigen Fassung.  
 Transportvorschriften gemäß ADR, RID, IMDG, IATA in der jeweils gültigen Fassung.  
 Datenquellen, die zur Ermittlung von physikalischen, toxischen und ökotoxikologischen Daten benutzt wurden, sind direkt in den jeweiligen Abschnitten angegeben.

**Datenblatt ausstellender Bereich**  
 UMCO GmbH  
 Die Angaben stützen sich auf den heutigen Stand unserer Kenntnisse und Erfahrungen.  
 Das Sicherheitsdatenblatt beschreibt Produkte im Hinblick auf Sicherheitsformulare.  
 Die Angaben haben nicht die Bedeutung von Eigenschaftszusicherungen und begründen kein vertragliches Rechtsverhältnis.

Urheberrechtlich geschütztes Dokument. Veränderungen oder Vervielfältigungen bedürfen der ausdrücklichen Genehmigung der UMCO GmbH.  
 Prod-ID: 755439

Seite 12 von 12

### 13.3 Safety data sheets

**Sicherheitsdatenblatt gemäß 1907/2006/EG** **TEGA**

Handelsname: R452A

Aktuelle Version: 1.0.0, erstellt am: 26.06.2019 Ersetzte Version: -, erstellt am: - Region: DE

**ABSCHNITT 1: Bezeichnung des Stoffs beziehungsweise des Gemischs und des Unternehmens**

1.1 **Produktidentifikator**  
 Handelsname  
**R452A**

1.2 **Relevante identifizierte Verwendungen des Stoffs oder Gemischs und Verwendungen, von denen abgeraten wird**  
**Relevante identifizierte Verwendungen**  
 Industrielle Anwendung  
 Berufsmäßige Verwendung  
 Kältemittel  
**Verwendungen, von denen abgeraten wird**  
 Endverbraucheranwendung

1.3 **Einzelheiten zum Lieferanten, der das Sicherheitsdatenblatt bereitstellt**  
**Adresse**  
 TEGA - Technische Gase und Gasetechnik GmbH  
 Werner-von-Siemens-Straße 18  
 97076 Würzburg  
 Telefon-Nr. +49 931 2093-220  
 Fax-Nr. +49 931 2093-180  
 e-mail kaefelermittel@tega.de  
**Auskünfte zum Sicherheitsdatenblatt**  
 sdb\_info@umco.de

1.4 **Notrufnummer**  
 Für medizinische Auskünfte (in deutscher und englischer Sprache):  
 +49 (0)51 192-40 (SIT-Informationszentrum Norc)

**ABSCHNITT 2: Mögliche Gefahren**

2.1 **Einstufung des Stoffs oder Gemischs**  
**Einstufung gemäß Verordnung (EG) Nr. 1272/2008 (CLP)**  
 Press. Gas liq., H280  
**Hinweise zur Einstufung**  
 Da Einstufung des Produkts wurde auf Basis der folgenden Verfahren gemäß Artikel 9 und den Kriterien der Verordnung (EG) Nr. 1272/2008 ermittelt:  
 Physikalische Gefahren: Bewertung von Prüfdaten gem. Anhang I, Teil 2  
 Gesundheits- und Umweltrisikofaktoren: Berechnungsverfahren gem. Anhang I, Teil 3, 4 und 5.

2.2 **Kenzeichnungselemente**  
**Kenzeichnung gemäß Verordnung (EG) Nr. 1272/2008 (CLP)**  
**Gefahrenpiktogramme**  
  
 Signalwort  
 Achtung  
**Gefahrenhinweise**  
 H280 Enthält Gas unter Druck; kann bei Erwärmung explodieren.  
**Gefahrenhinweise (EU)**  
 EUH018 Kann bei Verwendung explosionsfähige/entzündbare Dampf/Luft-Gemische bilden.  
 EUH029 Kann bei Verwendung leicht entzündbar werden.

Seite 1 von 13

**Sicherheitsdatenblatt gemäß 1907/2006/EG** **TEGA**

Handelsname: R452A

Aktuelle Version: 1.0.0, erstellt am: 26.06.2019 Ersetzte Version: -, erstellt am: - Region: DE

**Sicherheitshinweise**  
 P410+P403 Vor Sonnenbestrahlung schützen. An einem gut belüfteten Ort aufbewahren.  
**Ergänzende Kennzeichnungselemente**  
 Einheitsformel: fluorierte Treibhausgase (HFKW-125, HFKW-123/4f, HFKW-32)

2.3 **Sonstige Gefahren**  
 Erstickungsgefahr durch Verdrängung von Luft/Sauerstoff. Kontakt mit der Flüssigkeit kann Kälteverletzungen oder Erfrierungen verursachen. Missbrauch oder absichtliches Einatmen können, infolge von Auswirkungen auf das Herz, ohne alarmierende Symptome tödlich sein.  
 PBT-Beurteilung  
 Das Produkt gilt nicht als PBT.  
 vPvB-Beurteilung  
 Das Produkt gilt nicht als vPvB.

**ABSCHNITT 3: Zusammensetzung/Angaben zu Bestandteilen**

3.1 **Stoffe**  
 Nicht zutreffend. Das Produkt ist kein Stoff.

3.2 **Gemische**  
**Chemische Charakterisierung**  
 Fluorierte Kohlenwasserstoffe  
**Gefährliche Inhaltsstoffe**

Nr.	Name des Stoffs	Zusätzliche Hinweise	%
1	CAS / EINECS / Index / Einstufung (EG) 1272/2008 (CLP) / REACH Nr. 354-33-5 / 206-557-8 Pentafluorethan Press. Gas liq., H280	>= 50,00 - < 70,00	Vol%
2	154-12-1 / 468-710-7 2,3,3,3-Tetrafluorprop-1-ene Flam. Gas 1, H220 Press. Gas liq., H280	>= 25,00 - < 50,00	Vol%
3	75-10-5 / 200-838-4 Difluormethan Flam. Gas 1, H220 Press. Gas liq., H280	>= 10,00 - < 25,00	Vol%

Vollständiger Wortlaut der H- und EUH-Sätze: siehe Abschnitt 16

**ABSCHNITT 4: Erste-Hilfe-Maßnahmen**

4.1 **Beschreibung der Erste-Hilfe-Maßnahmen**  
**Allgemeine Hinweise**  
 Hohe Konzentrationen können Erstickungen verursachen. Symptome können Verlust der Bewegungsfähigkeit und des Bewusstseins sein. Das Opfer bemerkt das Erstickern nicht. Betroffene aus dem Gefahrenbereich bringen und hinholen. Sofort Arzt hinzuziehen.  
**Nach Einatmen**  
 Betroffene Person unter Einhaltung geeigneter Atemschutzmaßnahmen aus der Gefahrenzone bringen. Für Frischluft sorgen. Bei unregelmäßiger Atmung/Atemstillstand: künstliche Beatmung. Sofort Arzt hinzuziehen.  
**Nach Hautkontakt**  
 Bei Berührung mit der Haut sofort abwaschen mit Wasser und Seife. Bei Erfrierungen mit viel Wasser spülen. Kleidung erst nach dem Auftauen entfernen. Wunde steril abdecken. Sofort Arzt hinzuziehen.  
**Nach Augenkontakt**  
 Kontaktlinsen entfernen. Auge unter Schutz des unverletzten Auges 10 - 15 Minuten unter fließendem Wasser bei weitgespreizten Lidern spülen. Augenärztliche Behandlung.

Seite 2 von 13

**Sicherheitsdatenblatt gemäß 1907/2006/EG** **TEGA**

Handelsname: R452A

Aktuelle Version: 1.0.0, erstellt am: 26.06.2019 Ersetzte Version: -, erstellt am: - Region: DE

**Nach Verschlucken**  
 Mund gründlich mit Wasser spülen. Kein Erbrechen eintreten. Bewusstlosen Personen darf nichts eingefüllt werden.

4.2 **Wichtigste akute und verzögert auftretende Symptome und Wirkungen**  
**Symptome**  
 Folgende Symptome können auftreten: Herzrhythmusstörungen; betäubende Wirkung; Benommenheit; Schwindel; Verwirrung; Bewusstlosigkeit; Koordinationsstörungen; Atemstillstand. Kontakt mit verflüssigten Gas kann Schäden (Erfrierungen) aufgrund schneller Verdunstungskühlung bewirken.

4.3 **Hinweise auf ärztliche Soforthilfe oder Spezialbehandlung**  
 Symptomatisch und unterstützend behandeln.

**ABSCHNITT 5: Maßnahmen zur Brandbekämpfung**

5.1 **Löschmittel**  
**Geeignete Löschmittel**  
 Produkt selbst brennt nicht. Löschmaßnahmen auf Umgebungsbrand abstellen.  
**Ungeeignete Löschmittel**  
 Wasservolstrahl

5.2 **Besondere vom Stoff oder Gemisch ausgehende Gefahren**  
 Bei Brand kann freigesetzt werden: Kohlenmonoxid und Kohlendioxid; Fluorwasserstoff (HF); Carbonylfluorid; Fluorverbindungen. Verflüssigtes Gas; austretende Flüssigkeit kann Erfrierungen verursachen. Das Gas ist schwerer als Luft, es kann sich in tiefergelegenen Räumen ansammeln. Produkt selbst brennt nicht. Durch Hitzeentwicklung besteht Brandgefahr der Gefäße.

5.3 **Hinweise für die Brandbekämpfung**  
 Umflammenfähiges Atemschutzgerät verwenden. Vollschutzanzug tragen. Gefährliche Behälter wenn möglich aus der Gefahrenzone bringen. Geschlossene Behälter in Nähe des Brandherdes mit Wasser kühlen. Drucksteigerung, Berst- und Explosionsgefahr beim Erhitzen. Brandrückstände und kontaminiertes Löschwasser müssen entsprechend den örtlichen behördlichen Vorschriften entsorgt werden.

**ABSCHNITT 6: Maßnahmen bei unbeabsichtigter Freisetzung**

6.1 **Personenbezogene Vorsichtsmaßnahmen, Schutzausrüstungen und in Notfällen anzuwendende Verfahren**  
**Nicht für Notfälle geschultes Personal**  
 Schutzvorschriften (siehe Abschnitt 7 und 8) beachten. Für gute Raumbelüftung auch im Bodenbereich sorgen (Dämpfe sind schwerer als Luft). Gas nicht einatmen. Zündquellen fernhalten. Persönliche Schutzausrüstung verwenden. Den kontaminierten Bereich abschperren und kennzeichnen. Personen in Sicherheit bringen. Hautkontakt mit auslaufender Flüssigkeit vermeiden (Erfrierungsgefahr).  
**Einsatzkräfte**  
 Keine Angaben verfügbar. Persönliche Schutzausrüstung – siehe Abschnitt 8.

6.2 **Umweltschutzmaßnahmen**  
 Freisetzung in die Umwelt vermeiden. Gase/Dämpfe/Nebel mit Wasserschlauchstrahl niederschlagen.

6.3 **Methoden und Material für Rückhaltung und Reinigung**  
 Für ausreichende Lüftung sorgen. Das aufgenommene Material vorschriftsmäßig entsorgen.

6.4 **Verweis auf andere Abschnitte**  
 Informationen zur sicheren Handhabung siehe Abschnitt 7. Informationen zur persönlichen Schutzausrüstung siehe Abschnitt 8. Informationen zur Entsorgung siehe Abschnitt 13.

**ABSCHNITT 7: Handhabung und Lagerung**

7.1 **Schutzmaßnahmen zur sicheren Handhabung**  
**Hinweise zum sicheren Umgang**

Seite 3 von 13

**Sicherheitsdatenblatt gemäß 1907/2006/EG** **TEGA**

Handelsname: R452A

Aktuelle Version: 1.0.0, erstellt am: 26.06.2019 Ersetzte Version: -, erstellt am: - Region: DE

Handhabung nur durch qualifiziertes und geschultes Personal. Für gute Raumbelüftung sorgen, gegebenenfalls Absaugung am Arbeitsplatz. Anwendung nur nach Gebrauchsanweisung. Behälter nicht unter Druck setzen, aufschneiden, schweißen, hartlöten, löten, anbohren, schleifen und von Hitze und Zündquellen fernhalten. Bei Austritt von flüssigem Produkt Gefahr durch tiefe Temperaturen. Das Material nur an Orten verwenden, bei denen offenes Licht, Feuer und andere Zündquellen ferngehalten werden. Die Bildung entzündlicher und explosionsfähiger Dampfkonzentrationen in der Luft und ein Überschreiten der Arbeitsplatzgrenzwerte vermeiden. Behälter steht unter Druck. Vor Sonnenstrahlung und Temperaturen über 50 °C schützen. Auch nach Gebrauch nicht gewaltsam öffnen oder verformen. Geeignete Schutz- und Sicherheitsvorschriften befolgen.

**Allgemeine Schutz- und Hygienemaßnahmen**  
 Vor den Pausen und bei Arbeitende Hände waschen. Gase nicht einatmen. Bei der Arbeit nicht rauchen, essen oder trinken. Von Nahrungsmitteln und Getränken fernhalten. Notdusche bereithalten. Augenspülvorrichtung bereithalten.

**Hinweise zum Brand- und Explosionsschutz**  
 Das Produkt ist nicht brennbar. Von Hitzequellen, Funken und offenen Flammen fernhalten. Maßnahmen gegen elektrostatische Aufladungen treffen (Erdung beim Umfüllen). Elektrische Geräte müssen nach dem anerkannten Standard geschützt sein.

7.2 **Bedingungen zur sicheren Lagerung unter Berücksichtigung von Unverträglichkeiten**  
**Technische Maßnahmen und Lagerungsbedingungen**  
 Behälter dicht geschlossen halten, an einem kühlen, gut gelüfteten Ort aufbewahren, mit Vorsicht öffnen und handhaben. Vor Hitze und direkter Sonneneinstrahlung schützen.  
**Empfohlene Lagertemperatur**  
 Wert < 50 °C  
**Lagerstabilität**  
 Wert > 10 a  
 Bemerkung Bei ordnungsgemäßer Lagerung ist die Lagerdauer nicht begrenzt.

**Anforderung an Lagerräume und Behälter**  
 Gefüllte Behälter sorgfältig verschließen und aufrecht lagern, um jegliches Austreten zu verhindern. Stets in Behältern aufbewahren, die dem Originalgebinde entsprechen.

**Zusammenlagerungshinweise**  
 Nicht zusammenlagern mit selbstentzündlichen Stoffen und Gemischen; selbstentzündlichen Stoffen und Gemischen; entzündliche Stoffe, Oxidationsmittel, pyrophoren Stoffen; Sprengstoffen; toxischen Substanzen und Mischungen; toxischen Substanzen und Mischungen

**Lagerklasse gemäß TRGS 510**  
 2A Gase (ohne Aerosolpackungen und Feuerzeuge)

7.3 **Spezifische Endanwendungen**  
 Keine Angaben verfügbar.

**ABSCHNITT 8: Begrenzung und Überwachung der Exposition/Persönliche Schutzausrüstungen**

8.1 **Überwachende Parameter**  
**Arbeitsplatzgrenzwerte**

Nr.	Name des Stoffs	CAS-Nr.	EG-Nr.
1	2,3,3,3-Tetrafluorprop-1-ene	75-12-1	468-710-7
<b>TRGS 900</b>			
	Wert	950	mg/m³ 200 ml/m³
	Spitzenbegrenzung	2 (II)	
	Bemerkungen	Y	

**Biologische Grenzwerte**

1	Pentafluorethan	
	TRGS 903	
	Fluorwasserstoff und anorganische Fluorverbindungen (Fluoride)	
	Parameter	Fluorid
	Wert	mg/j Kostalim
	Untersuchungsmaterial	U
	Probenahmepunkt	b

Seite 4 von 13

### 13.3 Safety data sheets

**Sicherheitsdatenblatt gemäß 1907/2006/EG** **TEGA**  
 Handelsname: R452A

Aktuelle Version: 1.0.0, erstellt am: 26.06.2019 Ersetzte Version: -, erstellt am: - Region: DE

<b>TRGS 903</b>	
Fluorwasserstoff und anorganische Fluorverbindungen (Fluoride)	
Pharmazeut.	Fluorid
Wert	4,0 mg/kg Kreatinin
Untersuchungsmaterial	U
Probenabgabepunkt	d

**DNEL, DMEL und PNEC Werte**

DNEL Werte (Arbeitnehmer)		CAS / EG Nr.	
Nr.	Name des Stoffes	Einwirkungsdauer	Wert
1	Pentafluorethan		354-33-6 206-557-8
	inhalativ	Langzeit (chronisch)	16444 mg/m <sup>3</sup>
2	2,3,3,3-tetrafluorprop-1-ene		754-12-1 468-710-7
	inhalativ	Langzeit (chronisch)	850 mg/m <sup>3</sup>
3	Difluormethan		75-10-5 200-839-4
	inhalativ	Langzeit (chronisch)	7035 mg/m <sup>3</sup>

DNEL Werte (Verbraucher)		CAS / EG Nr.	
Nr.	Name des Stoffes	Einwirkungsdauer	Wert
1	Pentafluorethan		354-33-6 206-557-8
	inhalativ	Langzeit (chronisch)	1753 mg/m <sup>3</sup>
2	2,3,3,3-tetrafluorprop-1-ene		754-12-1 468-710-7
	inhalativ	Langzeit (chronisch)	186400 mg/m <sup>3</sup>
3	Difluormethan		75-10-5 200-839-4
	inhalativ	Langzeit (chronisch)	750 mg/m <sup>3</sup>

PNEC Werte		CAS / EG Nr.	
Nr.	Name des Stoffes	Umweltkompartiment	Wert
1	Pentafluorethan		354-33-6 206-557-8
	Wasser	Subwasser	0,1 mg/L
	Wasser	Subwasser Sediment	0,6 mg/kg Trockengewicht
	Wasser	Aqua intermittent	1 mg/L
2	2,3,3,3-tetrafluorprop-1-ene		754-12-1 468-710-7
	Wasser	Subwasser	0,1 mg/L
	Wasser	Aqua intermittent	1 mg/L
3	Difluormethan		75-10-5 200-839-4
	Wasser	Subwasser	0,142 mg/L
	Wasser	Aqua intermittent	1,42 mg/L
	Wasser	Subwasser Sediment	0,543 mg/kg Trockengewicht

**8.2 Begrenzung und Überwachung der Exposition**  
 Geeignete technische Steuerungseinrichtungen  
 Für gute Raumbelüftung sorgen, gegebenenfalls Absaugung am Arbeitsplatz. Falls dies nicht ausreicht, um die Aerosol- und Lösemitteldampf-Konzentration unter den Arbeitsplatzgrenzwerten zu halten, muss ein geeignetes Atemschutzgerät getragen werden.

**Persönliche Schutzausrüstung**

Seite 5 von 13

**Sicherheitsdatenblatt gemäß 1907/2006/EG** **TEGA**  
 Handelsname: R452A

Aktuelle Version: 1.0.0, erstellt am: 26.06.2019 Ersetzte Version: -, erstellt am: - Region: DE

**Atemschutz**  
 Umluftunabhängiges Atemschutzgerät. Atemschutz bei ungenügender Absaugung oder längerer Einwirkung. Bei hohen Konzentrationen in der Atemluft besteht Erstickungsgefahr.  
 Atemfilter-Gas AX

**Augen-Gesichtsschutz**  
 Dichtschließende Schutzbrille (DIN EN 166).

**Handschuhe**  
 Kälteschutzhandschuhe (EN 511). Bei möglichem Hautkontakt mit dem Produkt bietet die Verwendung von Handschuhen, geprüft nach z. B. EN 374, ausreichenden Schutz. Der Schutzhandschuh sollte in jedem Fall auf seine arbeitsspezifische Eignung (z. B. mechanische Beständigkeit, Produktverträglichkeit, Antistatik) geprüft werden. Anweisungen und Informationen des Handschuhherstellers zur Anwendung, Lagerung, Pflege und zum Austausch der Handschuhe befolgen. Die Schutzhandschuhe sollten bei Beschädigung oder ersten Abnutzungserscheinungen sofort ersetzt werden. Arbeitsschutzeinrichtungen so gestalten, dass nicht dauernd Handschuhe getragen werden müssen. Geeignetes Material Leder

**Sonstige Schutzmaßnahmen**  
 Chemikalienbeständige Arbeitskleidung, Sicherheitsschuhe.

**Begrenzung und Überwachung der Umweltpollution**  
 Informationen zur Entsorgung siehe Abschnitt 13.

**ABSCHNITT 9: Physikalische und chemische Eigenschaften**

**9.1 Angaben zu den grundlegenden physikalischen und chemischen Eigenschaften**

<b>Form/Farbe</b>	verflüssigtes Gas
	farbtlos, klar
<b>Geruch</b>	schwach ätherartig
<b>Gesundheitsschwermetalle</b>	Keine Daten vorhanden
<b>pH-Wert</b>	Keine Daten vorhanden
<b>Siedepunkt / Siedebereich</b>	Wert Quelle
	< Lieferant -47 °C
<b>Schmelzpunkt / Schmelzbereich</b>	Keine Daten vorhanden
<b>Zersetzungspunkt / Zersetzungsbereich</b>	Keine Daten vorhanden
<b>Flammpunkt</b>	Keine Daten vorhanden
<b>Selbstentzündungstemperatur</b>	Keine Daten vorhanden
<b>Oxidierende Eigenschaften</b>	nicht oxidierend
<b>Explosive Eigenschaften</b>	Das Produkt ist nicht explosionsgefährlich.
<b>Entzündbarkeit (fest, gasförmig)</b>	Das Produkt ist nicht brennbar.
	Quelle Lieferant
<b>Untere Entzündbarkeits- oder Explosionsgrenze</b>	keine
	Methode   ASTM E 681

Seite 6 von 13

**Sicherheitsdatenblatt gemäß 1907/2006/EG** **TEGA**  
 Handelsname: R452A

Aktuelle Version: 1.0.0, erstellt am: 26.06.2019 Ersetzte Version: -, erstellt am: - Region: DE

<b>Quelle</b>	Lieferant
<b>Obere Entzündbarkeits- oder Explosionsgrenze</b>	keine
	Methode   ASTM E 681
	Quelle   Lieferant
<b>Dampfdruck</b>	Wert Bezugstemperatur Quelle
	13159 hPa 25 °C Lieferant
<b>Dampfdichte</b>	Wert Quelle Bemerkung
	3,64 Lieferant Luft = 1
<b>Verdampfungsgeschwindigkeit</b>	Wert Quelle Bemerkung
	> 1 Lieferant CCl <sub>4</sub> = 1
<b>Relative Dichte</b>	Wert Bezugstemperatur Quelle
	1,13 25 °C Lieferant
<b>Dichte</b>	Keine Daten vorhanden
<b>Wasserlöslichkeit</b>	Keine Daten vorhanden
<b>Löslichkeit(en)</b>	Keine Daten vorhanden
<b>Verteilungskoeffizient: n-Octanol/Wasser</b>	Nr.   Name des Stoffes   CAS-Nr.   EG-Nr.
	1   Pentafluorethan   354-33-6   206-557-8
	log Pow Bezugstemperatur bezogen auf Methode Quelle
	1,48 25 °C pH 6,34 OECD 107 ECHA
	2   2,3,3,3-tetrafluorprop-1-ene   754-12-1   468-710-7
	log Pow Bezugstemperatur bezogen auf Methode Quelle
	ca. 2 25 °C pH 7 OECD 117 ECHA
	3   Difluormethan   75-10-5   200-839-4
	log Pow Bezugstemperatur bezogen auf Methode Quelle
	0,21 25 °C pH 6,1 OECD 107 ECHA

**9.2 Sonstige Angaben**  
**Sonstige Angaben**  
 Keine Angaben verfügbar.

**ABSCHNITT 10: Stabilität und Reaktivität**

Seite 7 von 13

**Sicherheitsdatenblatt gemäß 1907/2006/EG** **TEGA**  
 Handelsname: R452A

Aktuelle Version: 1.0.0, erstellt am: 26.06.2019 Ersetzte Version: -, erstellt am: - Region: DE

**10.1 Reaktivität**  
 Dieses Material wird unter normalen Verwendungsbedingungen als nicht reaktiv angesehen.

**10.2 Chemische Stabilität**  
 Das Produkt ist unter den empfohlenen Lagerungs-, Verwendungs- und Temperaturbedingungen chemisch stabil.

**10.3 Möglichkeit gefährlicher Reaktionen**  
 Reagiert mit starken Oxidationsmitteln.

**10.4 Zu vermeidende Bedingungen**  
 Hitze, offene Flammen und andere Zündquellen, Temperaturen > 50 °C.

**10.5 Unverträgliche Materialien**  
 starke Oxidationsmittel

**10.6 Gefährliche Zersetzungsprodukte**  
 Keine bei bestimmungsgemäßer Lagerung, Handhabung, Beförderung, Bei Brand: siehe Abschnitt 5.

**ABSCHNITT 11: Toxikologische Angaben**

**11.1 Angaben zu toxikologischen Wirkungen**

<b>Akute orale Toxizität</b>	Keine Daten vorhanden
<b>Akute dermale Toxizität</b>	Keine Daten vorhanden
<b>Akute Inhalative Toxizität</b>	Nr.   Name des Stoffes   CAS-Nr.   EG-Nr.
	1   Pentafluorethan   354-33-6   206-557-8
	ATE Expositionsdauer Aggregatzustand Spezies Methode Quelle Bewertung/Einstufung
	> 4 800000 ppmV Std. Gas Ratte OECD 403 ECHA Aufgrund der verfügbaren Daten sind die Einstufungskriterien nicht erfüllt.
	2   2,3,3,3-tetrafluorprop-1-ene   754-12-1   468-710-7
	LCSO Expositionsdauer Aggregatzustand Spezies Ratte Methode Quelle OECD 403 ECHA
	> 4 405800 ppmV Std. Gas Ratte OECD 403 ECHA
<b>Ätz-/Reizwirkung auf die Haut</b>	Keine Daten vorhanden
<b>Schwere Augenschädigung/-reizung</b>	Keine Daten vorhanden
<b>Sensibilisierung der Atemwege/Haut</b>	Keine Daten vorhanden
<b>Keimzell-Mutagenität</b>	Nr.   Name des Stoffes   CAS-Nr.   EG-Nr.
	1   Pentafluorethan   354-33-6   206-557-8
	Art der Untersuchung Spezies Methode Quelle Bewertung/Einstufung
	in vitro gene mutation study in bacteria Salmonella typhimurium / Escherichia coli OECD 471 ECHA Aufgrund der verfügbaren Daten sind die Einstufungskriterien nicht erfüllt. in vitro Mammalian Chromosomal Aberration Test

Seite 8 von 13

### 13.3 Safety data sheets

Sicherheitsdatenblatt gemäß 1907/2006/EG		TEGA	
Handelsname: R452A			
Aktuelle Version: 1.0.0, erstellt am: 26.06.2019		Ersetzte Version: -, erstellt am: -	
		Region: DE	
Spezies	Chinese hamster Ovary (CHO)		
Methode	OECD 473		
Quelle	ECHA		
Bewertung/Einstufung	Aufgrund der verfügbaren Daten sind die Einstufungskriterien nicht erfüllt.		
Aufnahmeweg	inhalativ		
Art der Untersuchung	Mammalian Erythrocyte Micronucleus Test, In vivo		
Spezies	Maus		
Methode	OECD 474		
Quelle	ECHA		
Bewertung/Einstufung	Aufgrund der verfügbaren Daten sind die Einstufungskriterien nicht erfüllt.		
2	<b>2,3,3,3-tetrafluorprop-1-ene</b>	754-12-1	468-710-7
Art der Untersuchung	Genotoxizität in vitro		
Quelle	ECHA		
Bewertung/Einstufung	Aufgrund der verfügbaren Daten sind die Einstufungskriterien nicht erfüllt.		
Art der Untersuchung	Genotoxizität in vivo		
Quelle	ECHA		
Bewertung/Einstufung	Aufgrund der verfügbaren Daten sind die Einstufungskriterien nicht erfüllt.		
3	<b>Difluormethan</b>	75-10-5	200-839-4
Art der Untersuchung	In vitro gene mutation study in bacteria		
Spezies	Salmonella typhimurium / Escherichia coli		
Methode	OECD 471		
Quelle	ECHA		
Bewertung/Einstufung	Aufgrund der verfügbaren Daten sind die Einstufungskriterien nicht erfüllt.		
Art der Untersuchung	In vitro Mammalian Chromosomal Aberration Test		
Spezies	Human Lymphocyte		
Methode	OECD 473		
Quelle	ECHA		
Bewertung/Einstufung	Aufgrund der verfügbaren Daten sind die Einstufungskriterien nicht erfüllt.		
<b>Reproduktionstoxizität</b>			
Nr.	Name des Stoffs	CAS-Nr.	EG-Nr.
1	<b>2,3,3,3-tetrafluorprop-1-ene</b>	754-12-1	468-710-7
Art der Untersuchung	2 Generationensstudie		
Methode	OECD 416		
Quelle	ECHA		
Bewertung/Einstufung	Aufgrund der verfügbaren Daten sind die Einstufungskriterien nicht erfüllt.		
Art der Untersuchung	Pränatale Entwicklungstoxizitätsstudie		
Methode	OECD 414		
Quelle	ECHA		
Bewertung/Einstufung	Aufgrund der verfügbaren Daten sind die Einstufungskriterien nicht erfüllt.		
<b>Karzinogenität</b>			
Keine Daten vorhanden			
<b>Spezifische Zielorgan-Toxizität bei einmaliger Exposition</b>			
Keine Daten vorhanden			
<b>Spezifische Zielorgan-Toxizität bei wiederholter Exposition</b>			
Nr.	Name des Stoffs	CAS-Nr.	EG-Nr.
1	<b>Pentafluorethan</b>	354-33-6	206-557-8
Aufnahmeweg	inhalativ		
Spezies	Ratte		
Methode	OECD 413		
Quelle	ECHA		
Bewertung/Einstufung	Aufgrund der verfügbaren Daten sind die Einstufungskriterien nicht erfüllt.		

Seite 9 von 13

Sicherheitsdatenblatt gemäß 1907/2006/EG		TEGA	
Handelsname: R452A			
Aktuelle Version: 1.0.0, erstellt am: 26.06.2019		Ersetzte Version: -, erstellt am: -	
		Region: DE	
2	<b>2,3,3,3-tetrafluorprop-1-ene</b>	754-12-1	468-710-7
Aufnahmeweg	inhalativ		
Spezies	Ratte		
Methode	OECD 413		
Quelle	ECHA		
Bewertung/Einstufung	Aufgrund der verfügbaren Daten sind die Einstufungskriterien nicht erfüllt.		
3	<b>Difluormethan</b>	75-10-5	200-839-4
Aufnahmeweg	inhalativ		
Spezies	Ratte		
Quelle	ECHA		
Bewertung/Einstufung	Aufgrund der verfügbaren Daten sind die Einstufungskriterien nicht erfüllt.		
<b>Aspirationsgefahr</b>			
Keine Daten vorhanden			
<b>ABSCHNITT 12: Umweltbezogene Angaben</b>			
<b>12.1 Toxizität</b>			
<b>Fischtoxizität (akut)</b>			
Nr.	Name des Stoffs	CAS-Nr.	EG-Nr.
1	<b>2,3,3,3-tetrafluorprop-1-ene</b>	754-12-1	468-710-7
LC50	Expositionsdauer	> 197	mg/l
Spezies	Cyprinus carpio	96	Std.
Methode	OECD 203		
Quelle	ECHA		
<b>Fischtoxizität (chronisch)</b>			
Keine Daten vorhanden			
<b>Daphnientoxizität (akut)</b>			
Nr.	Name des Stoffs	CAS-Nr.	EG-Nr.
1	<b>2,3,3,3-tetrafluorprop-1-ene</b>	754-12-1	468-710-7
EC50	Expositionsdauer	> 83	mg/l
Spezies	Daphnia magna	48	Std.
Methode	OECD 202		
Quelle	ECHA		
<b>Daphnientoxizität (chronisch)</b>			
Keine Daten vorhanden			
<b>Algentoxizität (akut)</b>			
Nr.	Name des Stoffs	CAS-Nr.	EG-Nr.
1	<b>2,3,3,3-tetrafluorprop-1-ene</b>	754-12-1	468-710-7
EC50	Expositionsdauer	> 100	mg/l
Spezies	Pseudokirchneriella subcapitata	72	Std.
Methode	OECD 201		
Quelle	ECHA		
<b>Algentoxizität (chronisch)</b>			
Keine Daten vorhanden			
<b>Bakterientoxizität</b>			
Keine Daten vorhanden			
<b>12.2 Persistenz und Abbaubarkeit</b>			
<b>Biologische Abbaubarkeit</b>			
Nr.	Name des Stoffs	CAS-Nr.	EG-Nr.
1	<b>Pentafluorethan</b>	354-33-6	206-557-8
Art	Aerobe biologische Abbaubarkeit		

Seite 10 von 13

Sicherheitsdatenblatt gemäß 1907/2006/EG		TEGA	
Handelsname: R452A			
Aktuelle Version: 1.0.0, erstellt am: 26.06.2019		Ersetzte Version: -, erstellt am: -	
		Region: DE	
Wert	ca.	5	%
Dauer	28		d
Methode	Closed Bottle Test (OECD 301D)		
Quelle	ECHA		
Bewertung	nicht leicht biologisch abbaubar		
2	<b>2,3,3,3-tetrafluorprop-1-ene</b>	754-12-1	468-710-7
Wert	Aerobe biologische Abbaubarkeit	5	%
Dauer	28		d
Methode	OECD 301 F		
Quelle	ECHA		
Bewertung	nicht leicht biologisch abbaubar		
3	<b>Difluormethan</b>	75-10-5	200-839-4
Wert	Aerobe biologische Abbaubarkeit	5	%
Dauer	28		d
Methode	OECD 301 D		
Quelle	ECHA		
Bewertung	nicht leicht biologisch abbaubar		
<b>12.3 Bioakkumulationspotenzial</b>			
<b>Verteilungskoeffizient: n-Octanol/Wasser</b>			
Nr.	Name des Stoffs	CAS-Nr.	EG-Nr.
1	<b>Pentafluorethan</b>	354-33-6	206-557-8
log Pow	1,48		
Bezugstemperatur	25		°C
bezogen auf	pH 6,34		
Methode	OECD 107		
Quelle	ECHA		
2	<b>2,3,3,3-tetrafluorprop-1-ene</b>	754-12-1	468-710-7
log Pow	ca.	2	
Bezugstemperatur	25		°C
bezogen auf	pH 7		
Methode	OECD 117		
Quelle	ECHA		
3	<b>Difluormethan</b>	75-10-5	200-839-4
log Pow	0,21		
Bezugstemperatur	25		°C
bezogen auf	pH 6,1		
Methode	OECD 107		
Quelle	ECHA		
<b>12.4 Mobilität im Boden</b>			
Keine Angaben verfügbar.			
<b>12.5 Ergebnisse der PBT- und vPvB-Bewertung</b>			
<b>Ergebnisse der PBT- und vPvB-Bewertung</b>			
PBT-Bewertung	Das Produkt gilt nicht als PBT.		
vPvB-Bewertung	Das Produkt gilt nicht als vPvB.		
<b>12.6 Andere schädliche Wirkungen</b>			
<b>Andere schädliche Wirkungen</b>			
Eintritt fluorierter Treibhausgase			
Produkt: Treibhauspotential innerhalb von 100 Jahren: 2.140,45			
<b>12.7 Sonstige Angaben</b>			
<b>Sonstige Angaben</b>			
Das Produkt darf nicht unkontrolliert in die Umgebung gelangen.			
<b>ABSCHNITT 13: Hinweise zur Entsorgung</b>			
<b>13.1 Verfahren der Abfallbehandlung</b>			

Seite 11 von 13

Sicherheitsdatenblatt gemäß 1907/2006/EG		TEGA	
Handelsname: R452A			
Aktuelle Version: 1.0.0, erstellt am: 26.06.2019		Ersetzte Version: -, erstellt am: -	
		Region: DE	
<b>Produkt</b>			
Entsorgung gemäß den behördlichen Vorschriften.			
Die Zuordnung einer Abfallschlüsselnummer gemäß europäischem Abfallkatalog (AVV) ist in Absprache mit dem regionalen Entsorger vorzunehmen.			
<b>Verpackung</b>			
Entsorgung in Abhängigkeit mit dem regionalen Entsorger.			
<b>ABSCHNITT 14: Angaben zum Transport</b>			
<b>14.1 Transport ADR/RID/ADN</b>			
Klasse	2		
Klassifizierungscode	2A		
Gefahrnrr. (Kettler-Zahl)	20		
UN-Nummer	UN1078		
Bezeichnung des Gutes	GAS ALS KÄLMITTEL, N.A.G.		
Gefahrloslöser	Pentafluorethan		
Tunnelbeschränkungscode	2,3,3,3-tetrafluorprop-1-ene		
Gefahrzeitel	C/E		
	2.2 RID: (+13)		
<b>14.2 Transport IMDG</b>			
Klasse	2.2		
UN-Nummer	UN1078		
Proper shipping name	REFRIGERANT GAS, N.O.S.		
Gefahrloslöser	pentafluorethane		
EmS	F-C; S-V		
Label	2.2		
<b>14.3 Transport ICAO-TI / IATA</b>			
Klasse	2.2		
UN-Nummer	UN1078		
Proper shipping name	Refrigerant gas, n.o.s.		
Gefahrloslöser	pentafluorethane		
Label	2,3,3,3-tetrafluorprop-1-ene		
	2.2		
<b>14.4 Sonstige Angaben</b>			
Keine Angaben verfügbar.			
<b>14.5 Umweltgefahren</b>			
Angaben zu Umweltgefahren, sofern relevant, siehe 14.1 - 14.3.			
<b>14.6 Besondere Vorsichtsmaßnahmen für den Verwender</b>			
Transport immer in geschlossenen, aufrecht stehenden und sicheren Behältern. Sicherstellen, dass Personen, die das Produkt transportieren, wissen, was im Falle eines Unfalls oder Auslaufens zu tun ist.			
<b>14.7 Massengutbeförderung gemäß Anhang II des MARPOL-Übereinkommens und gemäß IBC-Code</b>			
Nicht relevant			
<b>ABSCHNITT 15: Rechtsvorschriften</b>			
<b>15.1 Vorschriften zu Sicherheit, Gesundheits- und Umweltschutz / spezifische Rechtsvorschriften für den Stoff oder das Gemisch</b>			
<b>EU Vorschriften</b>			
<b>Verordnung (EG) Nr. 1907/2006 (REACH) Anhang XIV (Verzeichnis der zulassungspflichtigen Stoffe)</b>			
Nach den vorliegenden Daten und/oder gemäß den Angaben der Vorlieferanten enthält das Produkt keine(n) Stoff(e), die/die gemäß REACH Verordnung (EG) 1907/2006 Anhang XIV als zulassungspflichtige Stoff(e) zu/beliefern.			
<b>REACH Kandidatenliste besonders besorgniserregender Stoffe (SVHC) für das Zulassungsverfahren</b>			

Seite 12 von 13

### 13.3 Safety data sheets

Sicherheitsdatenblatt gemäß 1907/2006/EG		TEGA	
Handelsname: R452A			
Aktuelle Version: 1.0.0, erstellt am: 26.06.2019	Ersetzte Version: -, erstellt am: -	Region: DE	
<p>Nach den vorliegenden Daten und/oder gemäß den Angaben der Vorlieferanten enthält das Produkt keine(n) Stoff(e), der/die gemäß Artikel 57 in Verbindung mit Artikel 59 der REACH Verordnung (EG) 1907/2006 als für die Aufnahme in den Anhang XIV (Verzeichnis der zulassungspflichtigen Stoffe) in Frage kommenden Stoff(e) gilt/gelten.</p>			
<p>Verordnung (EG) Nr. 1907/2006 (REACH) Anhang XVII: Beschränkungen der Herstellung, des Inverkehrbringens und der Verwendung bestimmter gefährlicher Stoffe, Gemische und Erzeugnisse</p> <p>Nach den vorliegenden Daten und/oder gemäß den Angaben der Vorlieferanten enthält das Produkt keine(n) Stoff(e), der/die REACH Verordnung (EG) 1907/2006 Anhang XVII unterliegt/unterliegen.</p>			
<p>Richtlinie 2012/18/EU zur Beherrschung der Gefahren schwerer Unfälle mit gefährlichen Stoffen</p> <p>Das Produkt unterliegt nicht Anhang I, Teil 1 oder 2.</p>			
<p><b>Sonstige Vorschriften</b></p> <p>VERORDNUNG (EU) Nr. 517/2014 über fluorierte Treibhausgase</p> <p>Die nationalen Gesundheits- und Arbeitssicherheitsvorschriften sind bei der Verwendung dieses Produktes anzuwenden.</p>			
<p><b>Nationale Vorschriften</b></p> <p>Wassergefährdungsklasse</p> <p>Klasse 1</p> <p>Quelle Einstufung gemäß AwSV (Verordnung über Anlagen zum Umgang mit wassergefährdenden Stoffen).</p> <p><b>Sonstige Vorschriften</b></p> <p>zu beachten: "Technische Regel Druckbehälter" TRB 610; BGI 546 »Umgang mit Gefahrstoffen«; Zu beachten: TRGS 510 »Lagerung von Gefahrstoffen in ortsbeweglichen Behältern"»</p>			
<p><b>15.2 Stoffsicherheitsbeurteilung</b></p> <p>Für die Stoffe in dem vorliegenden Gemisch wurden Stoffsicherheitsbeurteilungen durchgeführt. Für ein Gemisch ist eine Stoffsicherheitsbeurteilung nach VO (EG) 1907/2006 nicht erforderlich.</p>			
<p><b>ABSCHNITT 16: Sonstige Angaben</b></p> <p>Datenquellen, die zur Erstellung des Datenblattes verwendet wurden:</p> <p>Verordnung (EG) Nr. 1907/2006 (REACH), 1272/2008 (CLP) in der jeweils gültigen Fassung.</p> <p>EG-Richtlinien 2000/39/EG, 2006/15/EG, 2009/16/EU</p> <p>Nationale Arbeitsplatzgrenzwertlisten der jeweiligen Länder in der jeweils gültigen Fassung.</p> <p>Transportvorschriften gemäß ADR, RID, IMDG, IATA in der jeweils gültigen Fassung.</p> <p>Datenquellen, die zur Ermittlung von physikalischen, toxikologischen und ökotoxikologischen Daten benutzt wurden, sind direkt in den jeweiligen Abschnitten angegeben.</p> <p><b>Vollständiger Wortlaut der in Abschnitt 2 und 3 aufgeführten H- und EUH-Sätze (soweit nicht bereits in diesen Abschnitten aufgeführt).</b></p> <p>H220 Extrem entzündbares Gas.</p> <p><b>Datenblatt ausstellender Bereich</b></p> <p>UMCO GmbH</p> <p>Die Angaben stützen sich auf den heutigen Stand unserer Kenntnisse und Erfahrungen.</p> <p>Das Sicherheitsdatenblatt beschreibt Produkte im Hinblick auf Sicherheitsanforderungen.</p> <p>Die Angaben haben nicht die Bedeutung von Eigenschaftszusicherungen und begründen kein vertragliches Rechtsverhältnis.</p> <p>Urheberrechtlich geschütztes Dokument. Veränderungen oder Vervielfältigungen bedürfen der ausdrücklichen Genehmigung der UMCO GmbH.</p> <p>Prod-ID 758265</p>			
Seite 13 von 13			

### 13.4 Installation checklist



• The installation opening in the trailer wall and the boreholes are well sealed to prevent the formation of moisture or an exchange of air.



• The air inlet and air outlet openings of both the condenser and the evaporator are not blocked by any materials or objects.



• The cover of the refrigeration unit is fastened, and the four screws are well tightened.



• The drain hose is firmly connected to the drain.



• The assembly eyelets on top of the refrigeration unit have been replaced with plastic bolts.



• All bolts and screws are firmly tightened.



• The device has been checked for leaks.



• The device works perfectly.



• Checked by: \_\_\_\_\_

• Date: \_\_\_\_\_



**GOVI GmbH**

Max-Planck-Str. 5  
53842 - Troisdorf - Germany  
Tel.: 0049 (0) 2241 922 94 60  
E-Mail: info@govi-gmbh.de

[www.govi-gmbh.de](http://www.govi-gmbh.de)